



INSTALLATION INSTRUCTIONS

8274 WINCH MOUNT

Part Numbers: 87675

Application: RC Stubby Bumper for 1997+ Jeep JK

GENERAL SAFETY PRECAUTIONS

Your safety, and the safety of others, is very important. To help you make informed decisions about safety, we have provided installation and operating instructions and other information on labels and in this guide. This information alerts you to potential hazards that could hurt you or others. It is not possible to warn you about all potential hazards associated with this product, you must use your own good judgment.

CARELESS INSTALLATION AND OPERATION CAN RESULT IN SERIOUS INJURY OR EQUIPMENT DAMAGE. READ AND UNDERSTAND ALL SAFETY PRECAUTIONS AND OPERATING INSTRUCTIONS BEFORE INSTALLING AND OPERATING THIS PRODUCT.

This guide identifies potential hazards and has important safety messages that help you and others avoid personal injury or death. **WARNING** and **CAUTION** are signal words that identify the level of hazard. These signal words mean:

▲WARNING signals a hazard that could cause serious injury or death, if you do not follow recommendations. **▲CAUTION** signals a hazard that may cause minor to moderate injury, if you do not follow recommendations.

This guide uses **NOTICE** to call attention to important mechanical information, and **Note**: to emphasize general information worthy of special attention.

▲ WARNING

IMPACT AND MOVING PARTS ENTANGLEMENT HAZARD

Failure to observe these instructions could lead to severe injury or death

- Always use extreme caution when drilling on any vehicle. Make sure that all fuel lines, brake lines, electrical wires, and other objects are not punctured or damaged when/if drilling on the vehicle. Thoroughly inspect the area to be drilled (on both sides of material) prior to drilling, and relocate any objects that may be damaged. Failure to inspect the area to be drilled may result in vehicle damage, electrical shock, fire or personal injury.
- Always wear safety glasses when installing this kit. A drilling operation will cause flying metal debris.
- Always use extreme caution when cutting and trimming during fitting.
- Always remove jewelry and wear eye protection.
- Never lean over battery while making connections.
- Always insure components will remain secure during installation and operation.
- Always tighten all nuts and bolts securely, per the installation instructions.
- Always inspect, tighten, and replace damaged hardware before use.
- Always replace all worn or damaged parts before operating.
- Never operate this WARN product with damaged or missing parts.
- Never work under vehicle before properly securing vehicle.
- Never operate the vehicle on slopes greater than 10 degrees with the plow installed.

Read installation and operating instructions thoroughly.

BEFORE YOU BEGIN

This 8274 Winch Mount is designed for mounting an 8274-50 winch on the Warn Rock Crawler Stubby Bumper for 1997+ Jeep JK.

WARN INDUSTRIES, INC. 12900 S.E. Capps Road,
Clackamas, OR USA 97015-8903, 1-503-722-1200, FAX: 1-503-722-3000
Customer Service: 1-800-543-9276
Dealer Locator Service: 1-800-910-1122
International Sales/ Customer Service: 1-503-722-3008
International Fax: 1-503-722-3005

⚠ CAUTION

MOVING PARTS ENTANGLEMENT HAZARD

Failure to observe these instructions could lead to minor or moderate injury

- Always take time to fully read and understand the installation and Operations Guide included with this product.
- Part edges may be sharp!

Read installation and operating instructions thoroughly.

NOTICE

EQUIPMENT DAMAGE

- Always refer to the Installation and Specification Guide, supplied in the winch kit, for all wiring schematics and specific details on how to wire this WARN product to your vehicle.

Read installation and operating instructions thoroughly.

TABLE OF CONTENTS

Parts List.....	page 2
Tools Required.....	page 2
Torque Specifications.....	page 2
Installation.....	page 3

PARTS LIST

<u>Description</u>	<u>Qty</u>	<u>Part Number</u>
8274 Mounting Plate	1	87396
Hardware Kit	1	87507

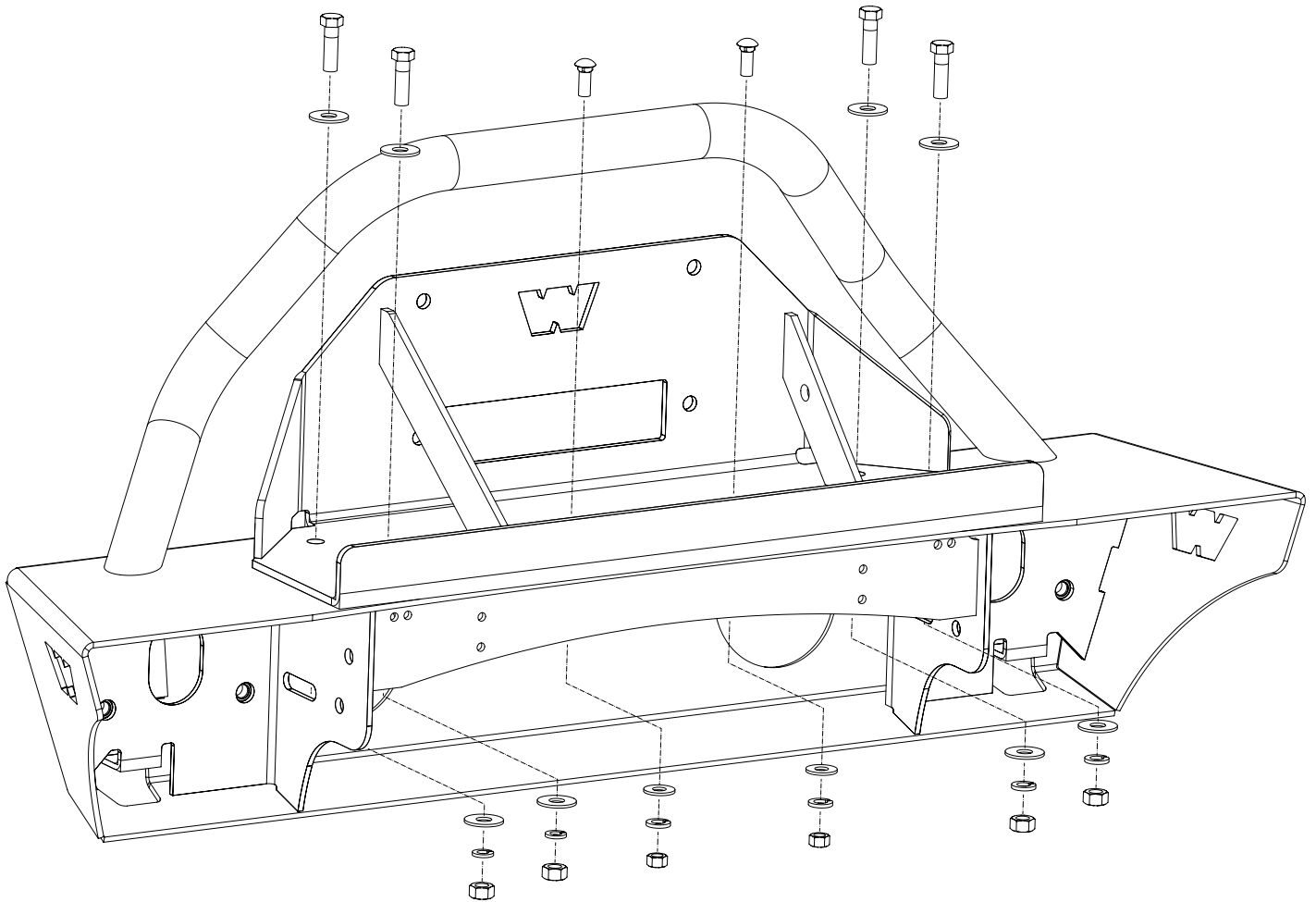
TOOLS REQUIRED

- Ratchet
- Torx Bit: T55
- Sockets: 7/16", 5/8", 15mm
- End Wrenches: 7/16"

TORQUE SPECIFICATIONS

1/4	8 lb. ft. (10.8 N-m)
5/16	17 lb. ft. (12.5 N-m)
3/8	30 lb. ft. (40.7 N-m)
7/16	50 lb. ft. (67.8 N-m)
1/2	75 lb. ft. (101.7 N-m)

INSTALLATION INSTRUCTIONS



1. Install the Rock Crawler Stubby Bumper according to the installation instructions supplied with that kit.
2. Use the 8274 Mounting Plate in place of the standard winch mounting plate included with the Bumper.
3. Bolt the 8274 Mounting Plate to the top of the Bumper. Use the 7/16 x 1-1/2" capscrews, flat washers, lock washers and nuts, through each corner. Use 3/8 x 1" carriage bolts, flat washers, lock washers and nuts from the top through the square holes in the top of the Winch Plate. Torque to specification.
4. Use the hardware supplied with the winch and/or bumper to attach the fairlead and winch to the Mounting Plate.

CARELESS INSTALLATION AND OPERATION CAN RESULT IN SERIOUS INJURY OR EQUIPMENT DAMAGE. READ AND UNDERSTAND ALL SAFETY PRECAUTIONS AND OPERATING INSTRUCTIONS BEFORE INSTALLING AND OPERATING THIS PRODUCT.

