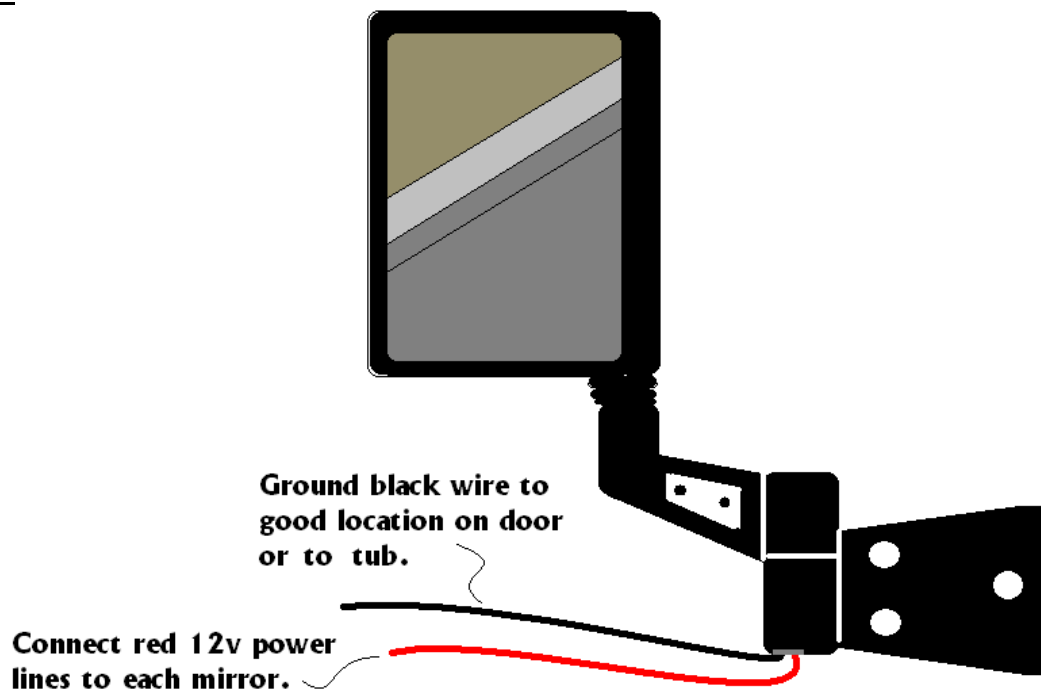


## Heating element wiring instructions for YJ mirror Part Number(11015.20)

1. Locate the black negative lead wire and the red positive lead wires that exit from the bottom of the heated side mirror.
2. Connect the black wire to a good grounding point located near the doors on the tub of the Jeep®. This will need to be done for both sides. The best grounding points will be located on the tub.

The red wire will be connected to the 12V power lead coming from the supplied switch. (See Fig.1)

**Fig.1**

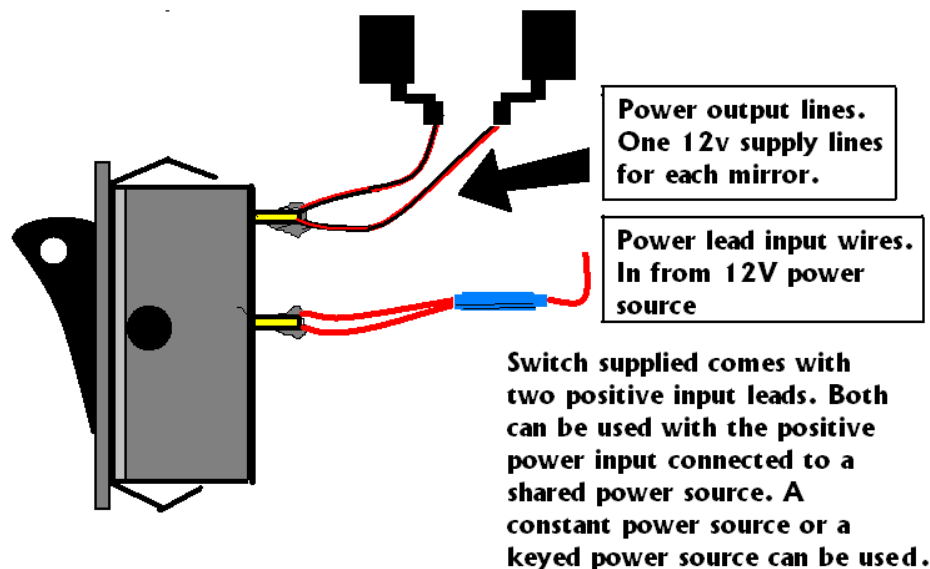


## Switch wiring

3. Locate a good spot on your vehicles dash or console for the switch location.  
All wires leading from the switch will need to be threaded through the mounting hole before any wire connections can be made.
4. The switch supplied comes from the factory with the red and black wires attached.  
This was done for packaging and will need to be separated before proceeding with The installation.  
The solid red wires will be connected to a 12V power source. This source can be a constant source or one that is supplied only when the ignition key is in the on position.

**NOTE :Most vehicle fuse blocks will contain an extra 12v power source.**

5. The two solid red power leads will need to be combined with the connectors supplied. (See Fig.2) The 12V supply from your Jeep® will need to be connected after the two wires have been joined.



5. Connect the two 12V output lines (black-red) wires to the red power leads at each mirrors base. Each mirror will need one power supply line. Extra wire has been supplied for any additional wiring needs.
6. To turn heated mirrors on the switch should be pressed with white button mark flush with switch base.