

Pack Mount

Step 1 – If mounting to a surface with an accessible backside (such as a thin walled container), do **Option 1** or **2**. If mounting to a surface where backside is not accessible (such as a stud on a garage wall), do **Option 3**.

Option 1 – Discard the Round Mounting Disk and mount the Upright Base directly to the surface using the 2 hex bolts provided (see **Figure 1**).

Or, attach the Round Mounting Disk to the Upright Base using the 2 hex bolts provided then use 4 carriage bolts, nuts, and washers provided to attach the Round Mounting Disk to the surface (see **Figure 2**).

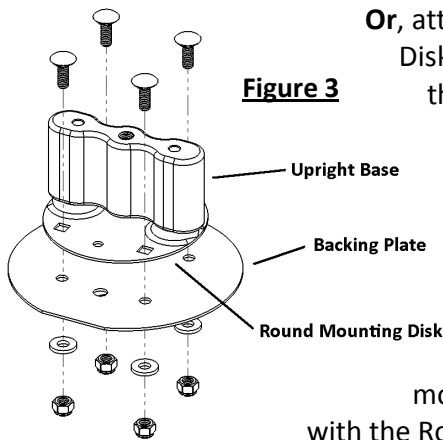
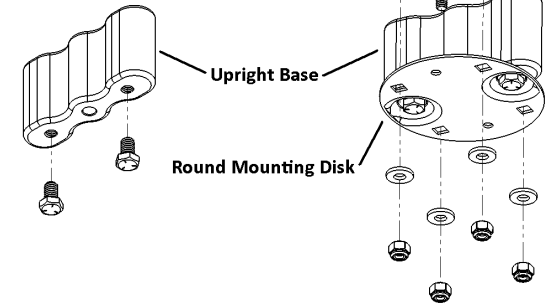


Figure 1

Figure 2



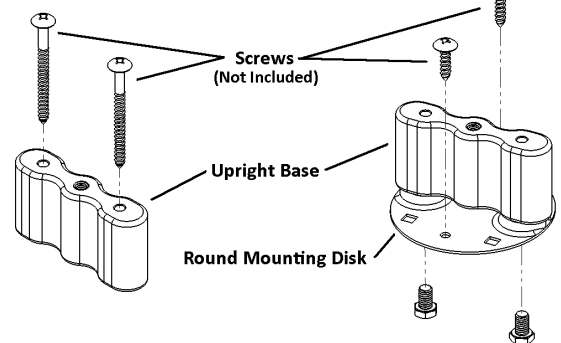
Option 2 – If you are worried that the Pack Mount might bend your mounting surface, use the Backing Plate (sold separately) in conjunction with the Round Mounting Disk and Upright Base to support the backside of the surface as shown (see **Figure 3**).

Option 3 – Discard the Round Mounting Disk and mount the Upright Base directly to the surface with two long screws (not included) through the two outer holes in the Upright Base (see **Figure 4**).

Or, attach the Round Mounting Disk to the Upright Base using the 2 hex bolts provided, then use two shorter screws (not included) to attach the Round Mounting Disk and Upright Base to the surface through the two additional holes in the Round Mounting Disk (see **Figure 5**).

Figure 4

Figure 5



Step 2 – Once upright base has been mounted to the surface, mount Fuel Pack onto base and insert the T-Handle into threads in the top of the Upright Base then tighten by twisting clockwise to desired tension (see **Figures 6** and **7**).

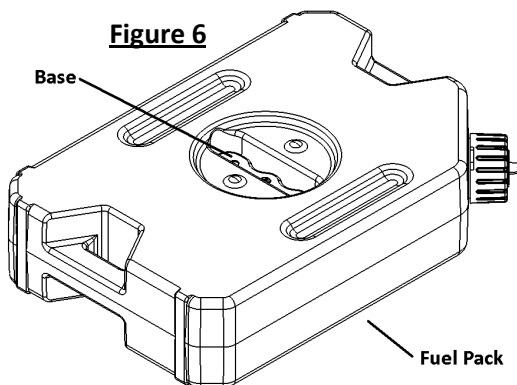
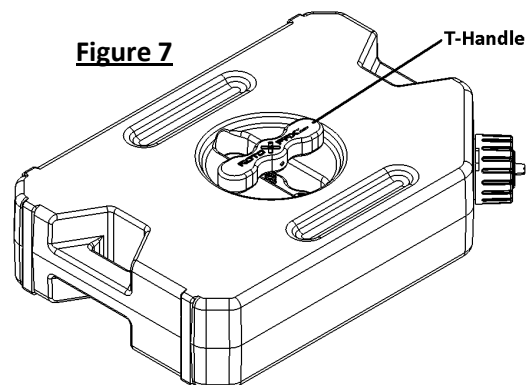
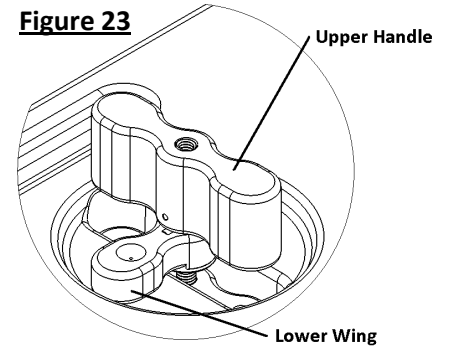
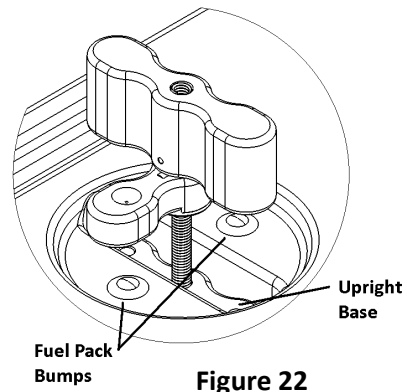
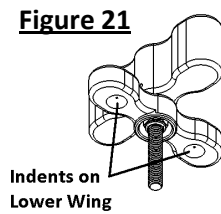


Figure 7



Pack Mount Extension

Step 1 - Insert Extension Handle into the Upright Base then tighten while keeping the indents on the Lower Wing (see **Figure 21**) aligned with the bumps on the Fuel Pack (see **Figure 22**) until the Extension Handle is sufficiently tight and the Upper Handle and Lower Wing are perpendicular to each other (see **Figure 23**).



LOX T-Handle

Step 1 – Insert the LOX T-Handle into the Upright Base then tighten to desired tension while keeping the indents on the underside of the Lower Wing aligned with the Fuel Pack bumps (see **Figures 15** and **16**).

Figure 15

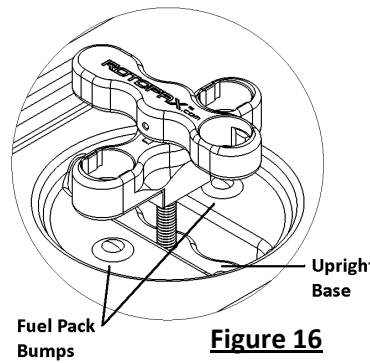
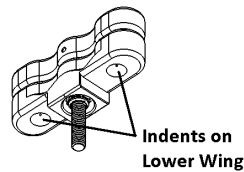


Figure 16

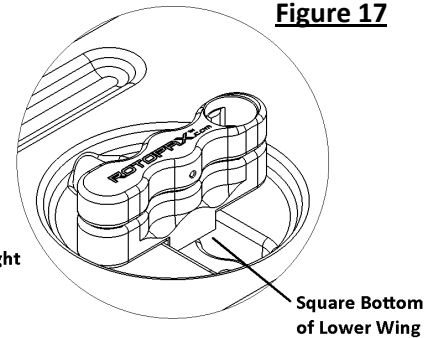


Figure 17

Step 2 - Ensure that the square bottom of the Lower Wing has been snugly inserted into the hole of the Fuel Pack and that the Lower Wing and the Upper Handle are aligned (see **Figure 17**).

Step 3 - Insert lock into the hole and push down until you hear the lock snap into place. The handle is now locked (see **Figure 18** and **19**).

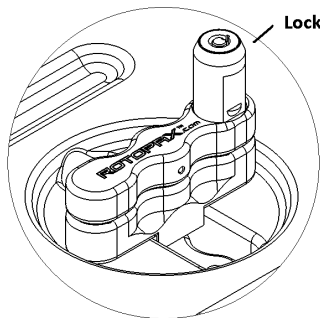


Figure 18

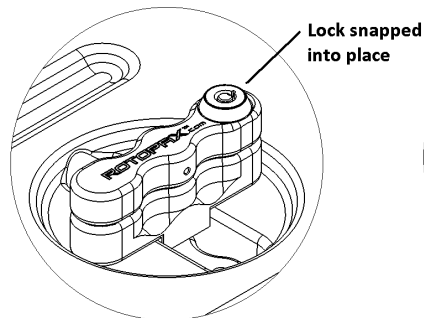


Figure 19

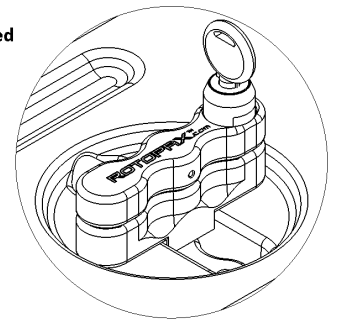


Figure 20

Step 4 - To remove lock, insert key into lock, twist key and pull out (see **Figure 20**).

Note: To ensure extended life, lubricate the lock periodically.

DLX T-Handle

Step 1 - Insert DLX T-Handle into the Upright Base then tighten to desired tension while keeping the indents on the underside of the Lower Wing aligned with the Fuel Pack bumps (see **Figures 12-14**).

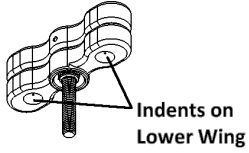


Figure 12

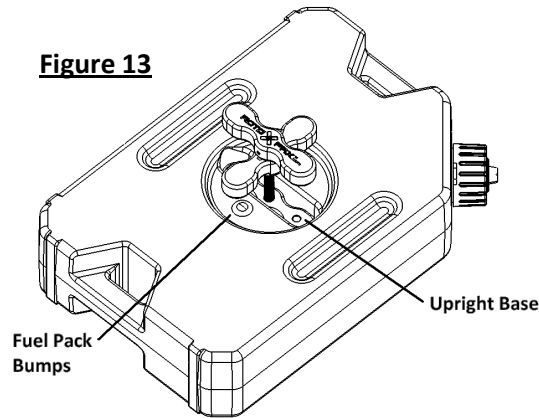
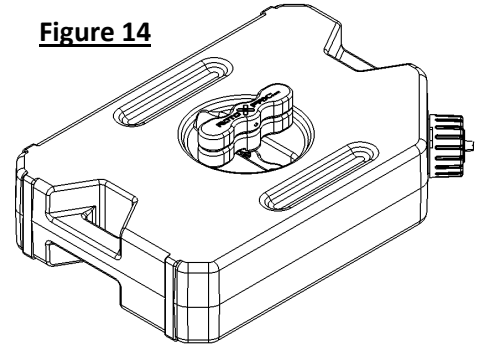


Figure 14



Step 2 - Mount another Fuel Pack onto the extension handle (see **Figure 24**).

Step 3 - Tighten T-Handle or other handles (LOX or DLX) to desired tension (see **Figure 25**).

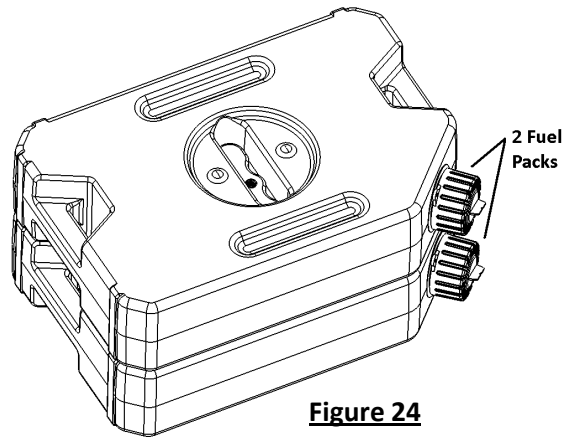


Figure 24

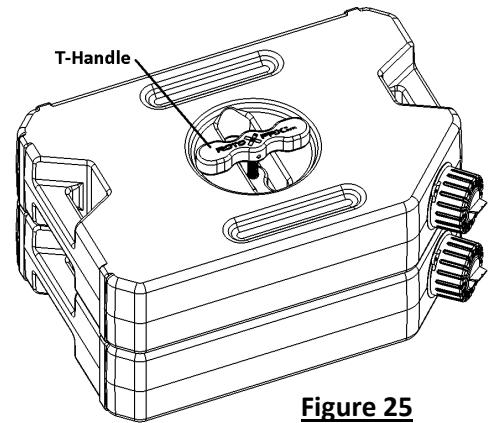


Figure 25

L-Bracket

Step 1 – Attach the L-Bracket to a desired surface using the hardware provided (see **Figure 31**).

Step 2 – Attach Upright Base to either side of the L-Bracket using the hardware included (see **Figures 32 and 33**).

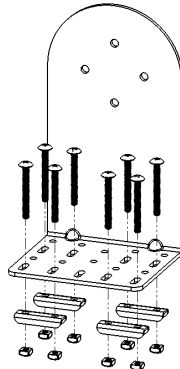


Figure 31

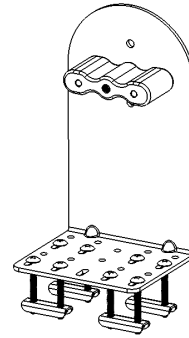


Figure 32

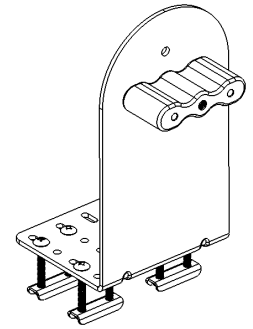


Figure 33

Universal Mounting Plate

Step 1 – If using the Universal Mounting Plate for a 4-gallon Fuel Pack or a combination of 2-gallon Fuel Packs (for multiple 1-gallon Fuel Packs, only do step **A** but attach tightly):

A – Attach Upright Bases loosely to Universal Mounting Plate using the hardware included with the Upright Bases (see **Figure 26**).

B – Mount the Fuel Pack(s) onto the loosely attached Upright Bases (see **Figure 27**).

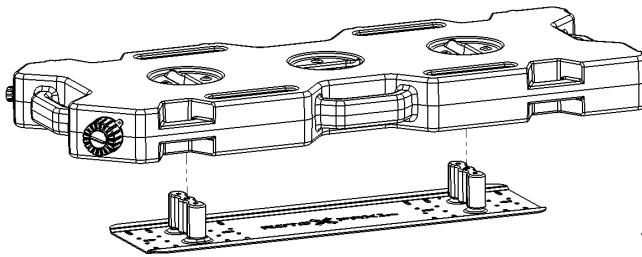


Figure 27

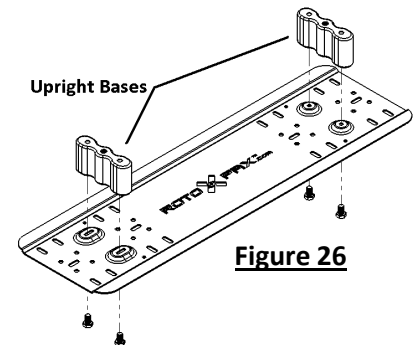


Figure 26

C – While the Fuel Pack(s) are still mounted, tighten the Base bolts from the underside of the Universal Mounting Plate (see **Figure 28**).

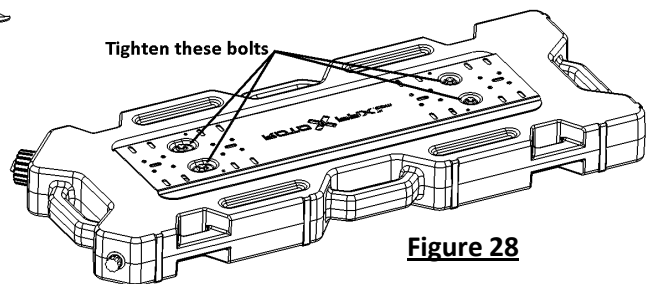


Figure 28

Step 2 – Once the Upright Bases have been attached properly, remove the Fuel Pack and attach the Universal Mounting Plate to a desired surface using any arrangement of holes in the Universal Mounting Plate and the provided hardware (see **Figure 29** and **30**).

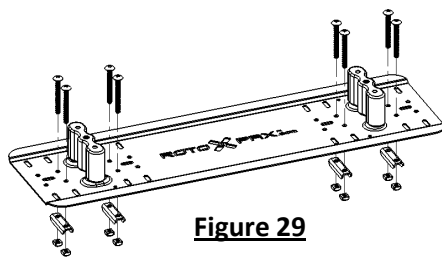


Figure 29

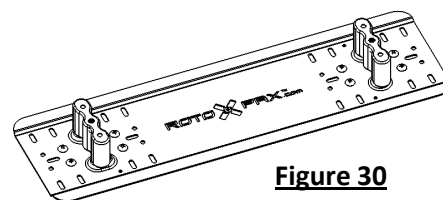


Figure 30