

2360 Boswell Road  
Chula Vista, CA 91914  
Phone 619.216.1444  
Fax 619.216.1474  
E-Mail tech@explorerprocomp.com



## PRO COMP SUSPENSION

---

*Suspension Systems that Work!*

**Part # 72099 1999-2010  
Super Duty Lateral Traction  
Bar Mounting Kit**

**This document contains very important information that includes warranty information and instructions for resolving problems you may encounter. Please keep it in the vehicle as a permanent record.**

## List of Parts:

<u>ITEM#</u>	<u>DESCRIPTION</u>	<u>QTY.</u>	<u>ILLUST.</u>
90-1472	Lateral Trac Bar (Axle Mount)	2	1
90-1474	Lateral Trac Bar (Front Mount)	2	1
90-6161	Front Mount Hardware		1
70-0431251800	7/16" x 1-1/4" USS Hex Bolt	6	1
70-04300100816	7/16" USS Lock Nut	6	1
70-04300043	7/16" SAE Washer	12	1
90-6162	Trac Bar Mounting Hardware		1
70-0565501800	9/16" x 5-1/2" USS Hex Bolt	2	1
70-0564501800	9/16" x 4-1/2" USS Hex Bolt	2	1
70-05600100816	9/16" USS Lock Nut	4	1
70-05600034	9/16" SAE Washer	8	1
90-6168	Block Pin Extension Hardware		2
71-1003017508802	10mm x 30mm Allen Bolt	2	2
72-01017508812	10mm Lock Nut	2	2
90-6163	Bushing and Sleeve Pack		1
90-2192	7/8" x 9/16" x 2.812 Sleeve	2	1
90-2193	7/8" x 9/16" x 3.937 Sleeve	2	1
15-10953	Bushing	8	1


**Optional Equipment Available from your PRO COMP Distributor!**

DRIVESHAFT ALIGNMENT KIT

PN 52480

FRONT DUAL SHOCK KITS

PN 52410

LIGHT BARS

PN 24400 (BLACK), 24400G (GREY)

STEERING STABILIZERS

PN 222570

ALSO, CHECK OUT OUR OUTSTANDING SELECTION OF PRO COMP TIRES TO COMPLIMENT  
YOUR NEW INSTALLATION!

**\*\* Designed to install in conjunction with Pro Comp Suspension Systems\*\***

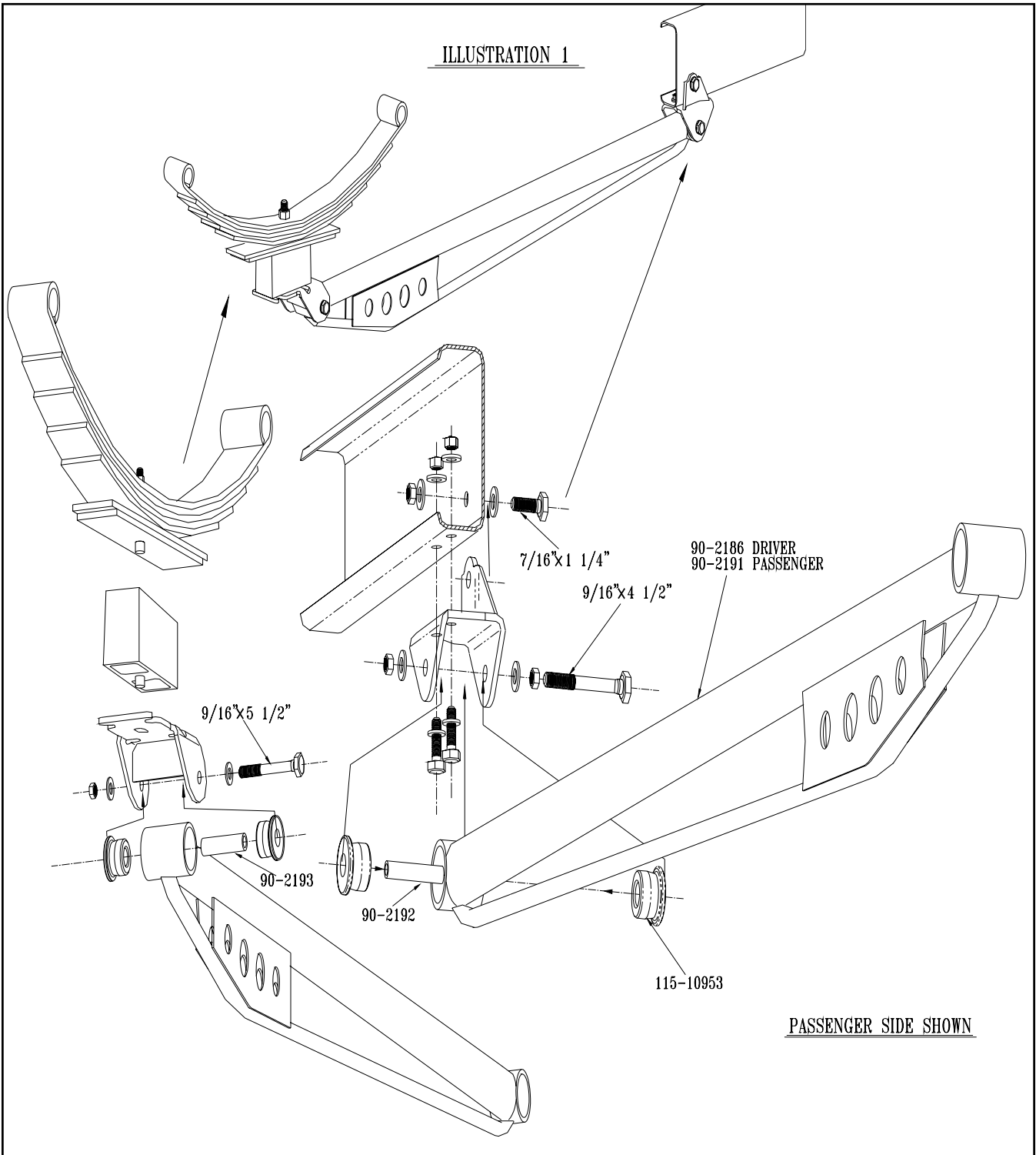
**BEFORE YOU BEGIN:**

- Read instructions carefully and study the illustrations before attempting installation. Separate parts according to the areas where they will be used. Placing the hardware with the brackets before you begin will save installation time.
- Check the parts and hardware against the parts list to assure that your kit is complete.
- Always wear safety glasses when using power tools.

**INSTALLATION INSTRUCTIONS:**

- 1) Park vehicle on a flat hard surface (I.e. asphalt or concrete).
- 2) Block the front wheels, driver and passenger side. Place blocks on the front and backside of tires.
- 3) Raise the rear axle with a floor jack until the tires clear the ground. Support the frame with jack-stands forward of the leaf spring mounts.
- 4) Remove rear tires and the lower shock bolts.
- 5) On the drivers side, loosen the u-bolts and lower the axle until the block(s) can be removed.
- 6) Place the axle bracket on the spring pad as shown in **Illustration I**.

ILLUSTRATION 1

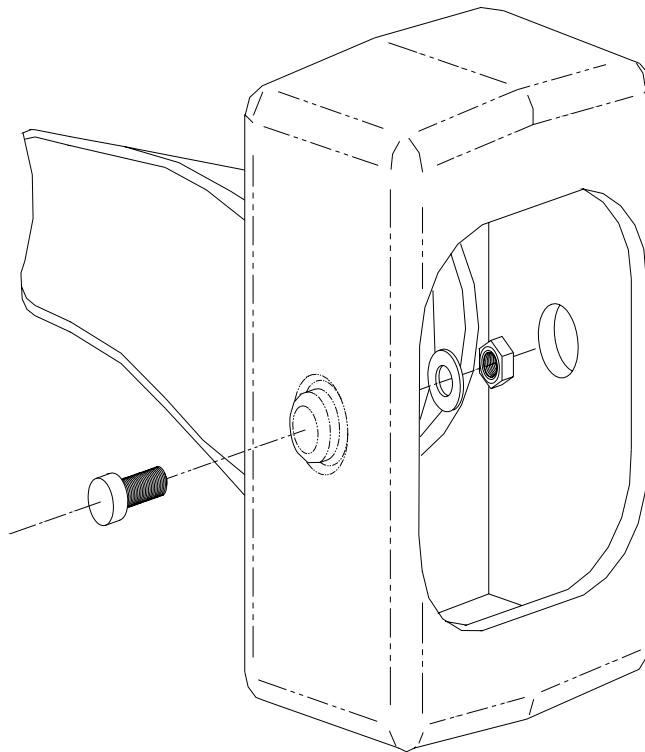


**\*\* VERY IMPORTANT \*\***

If vehicle is equipped with a ProComp Suspension and the billet aluminum block was installed, check the alignment pin to be sure there is 1/2" of pin protruding from the block. Place the aluminum block on top of the axle bracket and align the pin with the hole in the bracket and the hole in the spring pad.

If the factory block is being used to index the axle bracket, the cast pin is not long enough to protrude through both the axle bracket and the spring pad. Referring to Illustration II, drill through the center of the block pin and install the allen bolt as shown. This will provide enough pin length to properly index the block and axle bracket combination.

ILLUSTRATION 2



- 7) Install the block(s) and raise the axle to install spring center bolt into the hole in the top of the block.
- 8) Install u-bolts and tighten only enough to hold spring, block, bracket and axle assembly together.

**\* \* REPEAT STEPS 5-8 ON PASSENGER SIDE \* \***

- 9) Check to assure the axle brackets are square to the axle and torque the u-bolts both sides. 5/8" u-bolts 115 ft. lbs.
- 10) Install lower shock bolts and tighten.
- 11) Install wheels, raise rear of vehicle and remove jackstands.

**THE VEHICLE MUST BE ON THE GROUND TO  
PROCEED WITH INSTALLATION OF LATERAL TRAC  
BARS AND FRONT MOUNTING BRACKETS.**

- 12) Vehicles equipped with a rear sway bar will require some cutting on the threads of the factory sway bar link. With a hacksaw or grinder, remove all of the threads that protrude past the end of the nut. This will maximize the clearance between the Trac Bars and the sway bar hardware.
- 13) Install the bushings and sleeves into the Trac Bars as shown.
- 14) Install 90-2186 Driver side bar into the axle mount and install the bolt. It may be necessary to move the sway bar to install the bolts.
- 15) Install the 90-1474 Front mount bracket on the Trac Bar as shown and raise the bar until the bracket can be located on the frame rail.
- 16) Mark the holes on the frame using the bracket as a template.

**\* \* IMPORTANT NOTE \* \***

**BEFORE YOU BEGIN TO DRILL HOLES, CHECK THE INSIDE OF THE FRAME FOR FUEL HOSES, BRAKE LINES, WIRING OR ANYTHING THAT MIGHT BE DAMAGED BY DRILLING. TEMPORARILY RELOCATE HOSES, WIRES, ETC. DEPENDING ON WHEELBASE AND ENGINE OPTIONS, THIS SECTION OF FRAME CAN BE EASILY ACCESSIBLE OR FAIRLY DIFFICULT TO ACCESS. BE PATIENT SO AS NOT TO DAMAGE ANYTHING.**

17) Drill 7/16" holes into frame and install bolts. Torque to 45 ft. lbs. and install traction bar.  
Torque both 9/16" bolts to 100 ft. lbs.

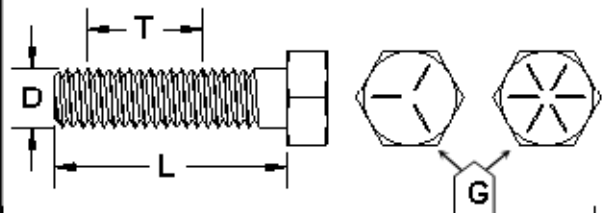
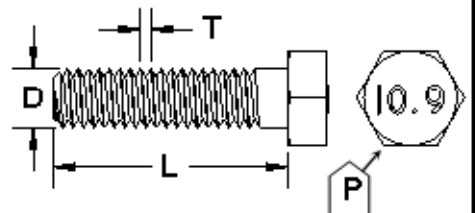
**NOTE: On crew cab long bed vehicles the driver side front traction bar mounting bolt may need to be trimmed in order to not come in contact the fuel tank. Remove the bolt from the vehicle before trimming.**

**REPEAT ON PASSENGER SIDE.  
USE 90-2191 TRAC BAR AND 90-1474 FRONT BRACKET.**

Use this only as a guide for hardware without a called out torque specification in the instruction manual.

<b>Bolt Torque and ID</b>						
<b>Decimal System</b>			<b>Metric System</b>			
All Torques in Ft. Lbs. Maximums						
Bolt Size	Grade 5	Grade 8	Bolt Size	Class 9.8	Class 10.9	Class 12.9
5/16	15	20	M6	5	9	12
3/8	30	45	M8	18	23	27
7/16	45	60	M10	32	45	50
1/2	65	90	M12	55	75	90
9/16	95	130	M14	85	120	145
5/8	135	175	M16	130	165	210
3/4	185	280	M18	170	240	290

	
<p>1/2-13x1.75 HHCS</p> <p><math>\hat{D}</math> <math>\hat{T}</math> <math>\hat{L}</math> <math>\hat{X}</math></p> <p><b>Grade 5    Grade 8</b> (No. of Marks + 2)</p>	<p>M12-1.25x50 HHCS</p> <p><math>\hat{D}</math> <math>\hat{T}</math> <math>\hat{L}</math> <math>\hat{X}</math></p> <p><b>P = Property Class (Bolt Strength)</b> D = Nominal Diameter (Millimeters) T = Thread Pitch (Thread Width, mm) L = Length (Millimeters) X = Description (Hex Head Cap Screw)</p>

G = Grade (Bolt Strength)  
D = Nominal Diameter (Inches)  
T = Thread Count (Threads per Inch)  
L = Length (Inches)  
X = Description (Hex Head Cap Screw)

**\*\* FINAL NOTE \*\*  
RETORQUE ALL HARDWARE AFTER 100 MILES AND EVERY  
5,000 THEREAFTER.**

### **Notice to Owner operator, Dealer and Installer:**

Vehicles that have been enhanced for off-road performance often have unique handling characteristics due to the higher center of gravity and larger tires. This vehicle may handle, react and stop differently than many passenger cars or unmodified vehicles, both on and off-road. You must drive your vehicle safely! Extreme care should always be taken to prevent vehicle rollover or loss of control, which can result in serious injury or even death. Always avoid sudden sharp turns or abrupt maneuvers and allow more time and distance for braking! Pro Comp reminds you to fasten your seat belts at all times and reduce speed! We will gladly answer any questions concerning the design, function, maintenance and correct use of our products.

### **Please make sure your Dealer/Installer explains and delivers all warning notices, warranty forms and instruction sheets included with Pro Comp product.**

Application listings in this catalog have been carefully fit checked for each model and year denoted. However, Pro Comp reserves the right to update as necessary, without notice, and will not be held responsible for misprints, changes or variations made by vehicle manufacturers. Please call when in question regarding new model year, vehicles not listed by specific body or chassis styles or vehicles not originally distributed in the USA.

**Please note that certain mechanical aspects of any suspension lift product may accelerate ordinary wear of original equipment components.** Further, installation of certain Pro Comp products may void the vehicle's factory warranty as it pertains to certain covered parts; it is the consumer's responsibility to check with their local dealer for warranty coverage before installation of the lift.

### **Warranty and Return policy:**

Pro Comp warrants its full line of products to be free from defects in workmanship and materials. Pro Comp's obligation under this warranty is limited to repair or replacement, at Pro Comp's option, of the defective product. Any and all costs of removal, installation, freight or incidental or consequential damages are expressly excluded from this warranty. Pro Comp is not responsible for damages and / or warranty of other vehicle parts related or non-related to the installation of Pro Comp product. A consumer who makes the decision to modify his vehicle with aftermarket components of any kind will assume all risk and responsibility for potential damages incurred as a result of their chosen modifications. Warranty coverage does not include consumer opinions regarding ride comfort, fitment and design. Warranty claims can be made directly with Pro Comp or at any factory authorized Pro Comp dealer.

**IMPORTANT!** To validate the warranty on this purchase please be sure to mail in the warranty card.

### **Claims not covered under warranty-**

- Parts subject to normal wear, this includes bushings, bump stops, ball joints, tie rod ends and heim joints
  - Discontinued products at Pro Comp's discretion
- Bent or dented product
- Finish after 90 days
- Leaf or coil springs used without proper bump stops
- Light bulbs
- Products with evident damage caused by abrasion or contact with other items
- Damage caused as a result of not following recommendations or requirements called out in the installation manuals
- Products used in applications other than listed in Pro Comp's catalog
- Components or accessories used in conjunction with other manufacturer's systems
- Tire & Wheel Warranty as per Pro Competition Tire Company policy
- Warranty claims without "Proof of Purchase"
- Pro Comp Pro Runner coil over shocks are considered a serviceable shock with a one-year warranty against leakage only. Rebuild service and replacement parts will be available and sold separately by Pro Comp. Contact Pro Comp for specific service charges.
- Pro Comp accepts no responsibility for any altered product, improper installation, lack of or improper maintenance, or improper use of our products.

**E-Mail: [tech@explorerprocomp.com](mailto:tech@explorerprocomp.com)**  
**Website: [www.explorerprocomp.com](http://www.explorerprocomp.com)**  
**Fax: (619) 216-1474**  
**Ph: (619) 216-1444**

<b>PLACE</b>
<b>WARRANTY REGISTRATION</b>
<b>NUMBER</b>
<b>HERE:</b> _____