

2360 Boswell Road
Chula Vista, CA 91914
Phone 619.216.1444
Fax 619.216.1474
E-Mail tech@explorerprocomp.com

**Latest Revision:
8.24.2021**



PRO COMP SUSPENSION

**57089
K5054B/ T
K5060B/ T
K5061B/ T
'86-'95 Toyota 4WD
4" Suspension System**

This document contains very important information that includes warranty information and instructions for resolving problems you may encounter. Please keep it in the vehicle as a permanent record.

Box 1 of 2- PN 57089-1

Part #	Description	Qty	Illus.
90-1296	A-Arm Drop Bracket	4	3-4
90-1290	Rear Crossmember	1	4
90-2134	Bumpstop, Spacer	4	9
90-6108	Bracket Pack Containing:		
90-55089-5	Front Brake Drop Down Brkt.	2	1
90-1280	Rear Brake Drop Down Brkt.	1	11
90-1277	Center Differential Brkt.	1	5
90-1282	Differential Drop Brkt. (Pass.)	1	6
90-1283	Differential Drop Brkt. (Drvr.)	1	7
90-1278	Sway Bar Drop Down Brkt. (Pass.)	1	10
90-1279	Sway Bar Drop Down Brkt. (Drvr.)	1	10
90-1276	Rear Brake Cable Extension Brkt.	1	12
90-6109	Bracket Bag Containing:		
90-1301	Locating Washer, Toyota	8	3
90-2014	Spacer, .750" x .120 Wall x .250"	1	5
90-2022	Sleeve, .750 .510 ID x .870"	1	5
90-2136	Spacer Tube, .750" x .120 Wall x 1.220"	1	5
96-4026	Spindle Cone Spacer - Toyota	2	8
90-6110	Hardware Pack Containing:		
70-0622501500	5/8" x 2 1/2" USS Gd. 5 Hex Bolt	2	8
70-0624501500	5/8" x 4 1/2" USS Gd. 5 Hex Bolt	4	3
70-0502501500	1/2" x 2 1/2" USS Gd. 5 Hex Bolt	1	5
70-0502251500	1/2" x 2 1/4" USS Gd. 5 Hex Bolt	1	6,7
70-0501251500	1/2" x 1 1/4" USS Gd. 5 Hex Bolt	3	3,8
72-06200100512	5/8" USS Nyloc Nut	6	5,6,7
72-05000100512	1/2" USS Nyloc Nut	5	5,6,7
73-05000030	1/2" SAE Flat Washer	10	5,6,7
	Loctite Tube Red	1	
90-6111	Hardware Pack Containing:		
70-0431001500	7/16" x 1" USS Gd. 5 Hex Bolt	8	4
70-0371001500	3/8" x 1" USS Gd. 5 Hex Bolt	7	1,9,11
70-0311001500	5/16" x 1" USS Gd. 5 Hex Bolt	6	10,12
72-04300100512	7/16" USS Nyloc Nut	8	4
72-03700100512	3/8" USS Nyloc Nut	7	1,9,11
72-03100100512	5/16" USS Nyloc Nut	6	10,12
73-04300030	7/16" SAE Flat Washer	16	4
73-03700030	3/8" SAE Flat Washer	14	1,9,11
73-03100030	5/16" SAE Flat Washer	6	10,12

Box 2 of 2- PN 57089-2

Part #	Description	Qty	Illus.
90-4009	Spindle Adapter (Drvr.)	1	8
90-4010	Spindle Adapter (Pass.)	1	8

One of the following rear kits will be used in conjunction with this base kit:

57589	'86-'89 4-Runner Leaf Spring Rear		
	'86-'95 Pickup w/ 2.5" Rear U-Bolts		
95-350	3 1/2" Rear tapered Blocks (9/16")	2	14
13-90126	9/16" U-bolts (2-1/2" Wide)	4	14
13-10423-Z	9/16" U-bolt Nut	8	14
13-30330-Z	9/16" U-bolts Washers	8	14

-OR-

57789	'86-'89 4-Runner with 3.25" Rear U-Bolts		
	'86-'95 Pickup w/ 3.25" Rear U-Bolts		
20-830671-2	3 1/2" Rear Tapered Blocks (7/8" Pin)	2	14
13-90321	9/16" U-bolts (3.25" Wide)	4	14
13-10423-Z	9/16" U-bolt Nut	8	14
13-30330-Z	9/16" U-bolt Washers	8	14

-OR-

57489	'90-'95 4-Runner		
90-1204	Lower Link Relocating Bracket	2	
90-1272	Upper Link Relocating Bracket	2	
90-2130	Bump Stop Extension	2	
90-1268	Trac Bar Relocating Bracket	1	
90-2133	Sway Bar Extension	2	
90-7210E	Brake Hose	1	
5242-1	Limiting Strap		

Box 918514B/ 926500B (K5054T/60T/61T)

918514B	Front Shock	2	-
926500B	Rear Shock	2	-

**PLEASE NOTE: ON SOME V6 MODELS, A HIGH MISALIGNMENT
DRIVESHAFT MAY BE REQUIRED
IF THE ORIGINAL EQUIPMENT DRIVESHAFT BINDS AT THE CONSTANT
VELOCITY JOINT AFTER
THE LIFT KIT IS INSTALLED.**

Introduction:

- ◆ **This installation requires a professional mechanic!**
- ◆ We recommend that you have access to a factory service manual for your vehicle to assist in the disassembly and reassembly of your vehicle. It contains a wealth of detailed information.
- ◆ Prior to installation, carefully inspect the vehicle's steering and driveline systems paying close attention to the tie rod ends, ball joints, wheel bearing preload, pitman and idler arm. Additionally, check steering-to-frame and suspension-to-frame attaching points for stress cracks. The overall vehicle must be in excellent working condition. Repair or replace all worn or damaged parts!
- ◆ Read the instructions carefully and study the illustrations before attempting installation! You may save yourself a lot of extra work.
- ◆ Check the parts and hardware against the parts list to assure that your kit is complete. Separating parts according to the areas where they will be used and placing the hardware with the brackets before you begin will save installation time.
- ◆ Check the special equipment list and ensure the availability of these tools.
- ◆ Secure and properly block vehicle prior to beginning installation.
- ◆ **ALWAYS** wear safety glasses when using power tools or working under the vehicle!
- ◆ Use caution when cutting is required under the vehicle. The factory undercoating is flammable. Take appropriate precautions. Have a fire extinguisher close at hand.
- ◆ Foot pound torque readings are listed on the Torque Specifications chart at the end of the instructions. These are to be used unless specifically directed otherwise. Apply thread lock retaining compound where specified.
- ◆ ***Please note that while every effort is made to ensure that the installation of your Pro Comp lift kit is a positive experience, variations in construction and assembly in the vehicle manufacturing process will virtually ensure that some parts may seem difficult to install. Additionally, the current trend in manufacturing of vehicles results in a frame that is highly flexible and may shift slightly on disassembly prior to installation. The use of pry bars and tapered punches for alignment is considered normal and usually does not indicate a faulty product. However, if you are uncertain about some aspect of the installation process, please feel free to call our tech support department at the number listed on the cover page. We do not recommend that you modify the Pro Comp parts in any way as this will void any warranty expressed or implied by the Pro Comp Suspension company.***

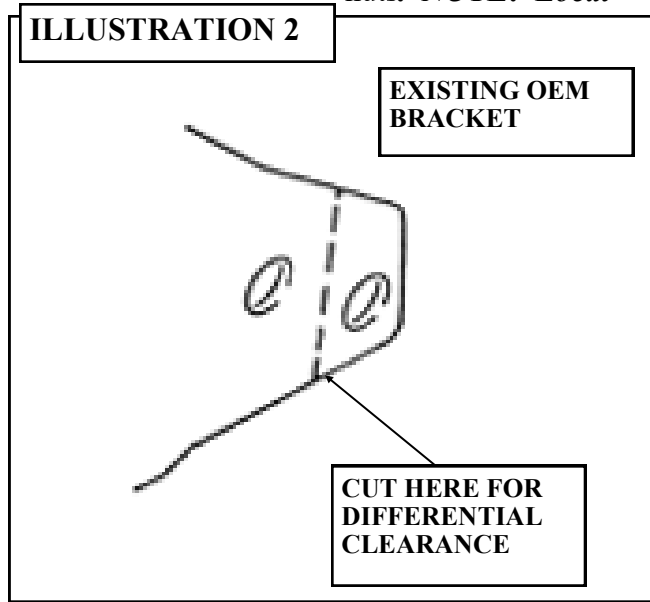
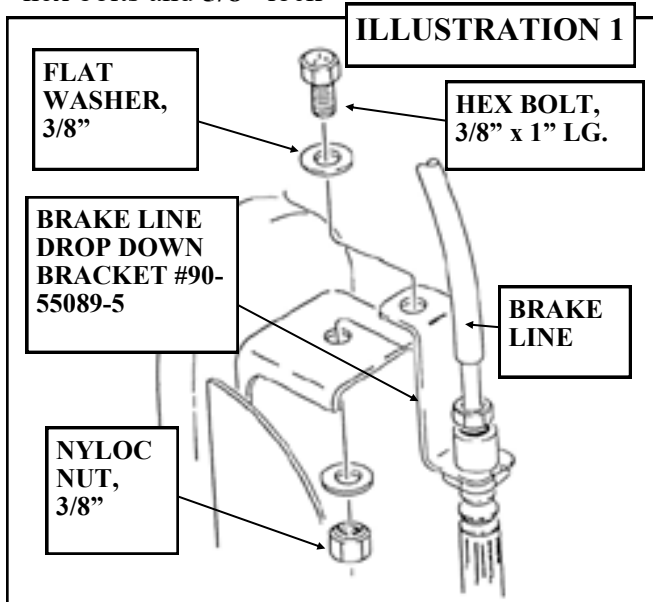
PLEASE NOTE:

Tire and wheel choice is crucial in assuring proper fit performance and the safety of your Pro Comp equipped vehicle. For this application a wheel not to exceed 8 in width with a maximum backspacing of 3.5 must be used. Diameter of wheel may be any of the following 3 choices, 15", 16", 17". Any other diameter, either smaller or larger, will not be endorsed as acceptable by Pro Comp Suspension and will void and all warranties, written or implied. In addition, a quality tire of radial design, not to exceed 33" tall x 12.5" wide is recommended.

Installation Instructions:

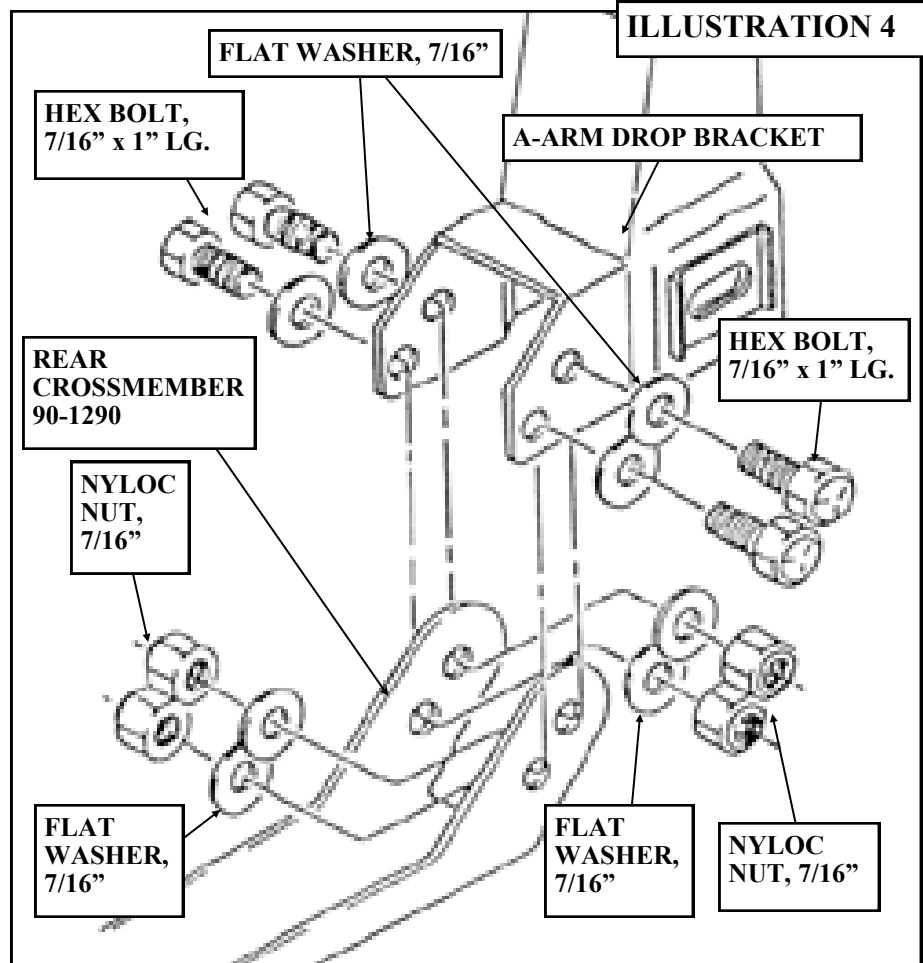
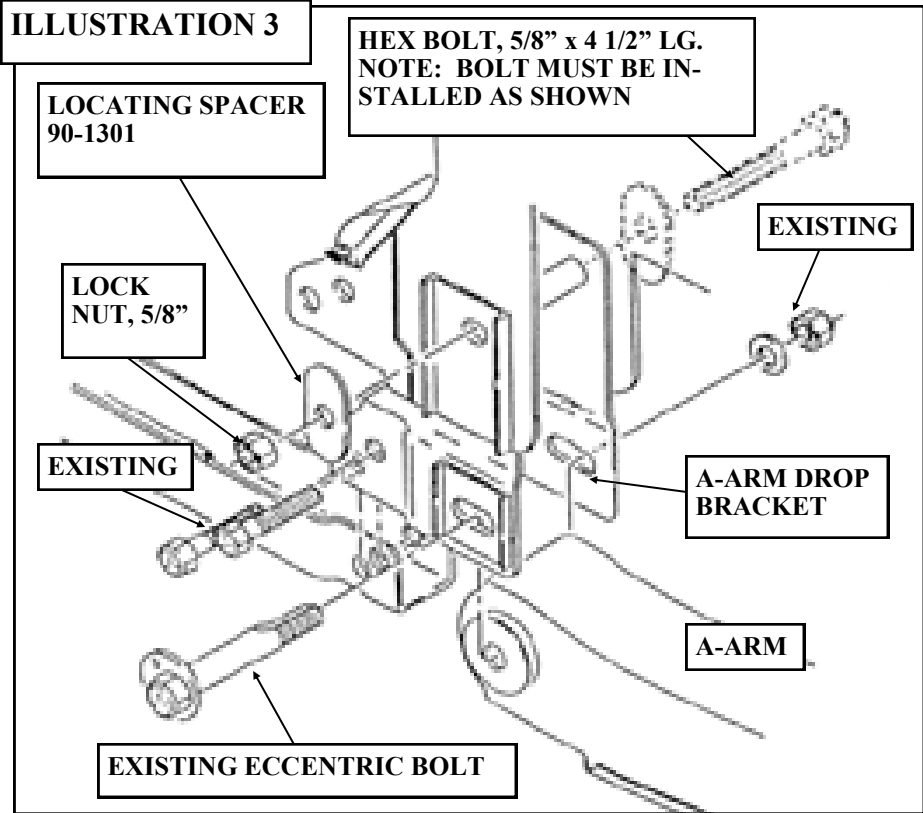
FRONT:

- 1) Place floor jack under front axle and raise vehicle. Place jack stands under frame to support vehicle. Set the emergency brake and block rear wheels, in front and behind tires. Remove front wheels.
- 2) Remove clip from front brake line and bracket. Cut bracket to center of hole to remove brake line out of bracket. Install new brake line drop down bracket (**90-55089-5**) to **OEM** bracket and put **3/8"** flat washer on top. Insert the **3/8" x 1"** hex bolt through both brackets and tighten with **3/8"** nyloc nut on bottom. You may need to reform the line slightly. Be sure not to kink or cause any interference of line. Reinstall **OEM** brake line clip to hose at bracket (see ILLUSTRATION 1).
- 3) Remove shocks, sway bar and bumpstops on each side (four bumpstops total). Remove eccentric bolt and nut front and rear. Remove front crossmember from mounting bracket. On passenger side only, cut the mounting bracket tabs off of the existing bracket between the bolt holes for differential clearance (see ILLUSTRATION 2).
- 4) Remove the eccentric bolts (front and rear) on front lower a-arm.
- 5) Install the four a-arm drop brackets (**90-1296**) into the **OEM** brackets. Use new **5/8" x 4-1/2"** hex bolts and **5/8"** lock nuts. **NOTE: Locat-**

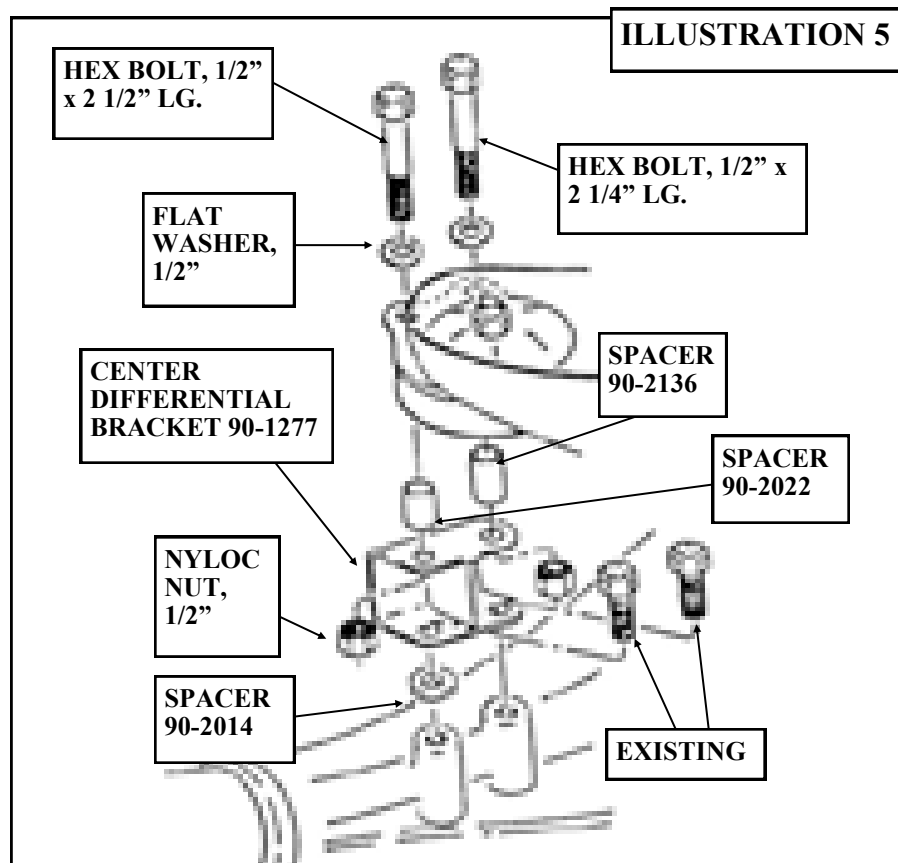


ing spacers will go in only one way and all eight spacers are the same. Reinstall front crossmember with OEM bolts. Hand tighten bolts until the brackets are aligned (see ILLUSTRATION 3).

- 6) Using a straight edge, line up bottom bracket tabs with upper **OEM** tabs. Then tighten bolts. Torque to 100 ft./lbs. (not crossmember bolts yet). Install **OEM** bolts and nut into front crossmember to front differential. Tighten bolts and then tighten crossmember bolts.
- 7) Install the new rear crossmember (**90-1290**) using a **7/16" x 1"** bolts, **7/16"** flat washers and nyloc nuts. Torque to 45 ft./lbs. Using a straight edge, align upper tabs with lower tabs and tighten bolts. Torque to 100 ft./lbs. (see ILLUSTRATION 4).



- 8) Install lower a-arms into lower a-arm brackets. Reinstall **OEM** eccentric bolts with hole in **OEM** cam washers at bottom. Install **OEM** nuts and tighten nuts. **NOTE: Tighten nut, not bolt because cam will not turn inside of tabs).** Torque to 103 ft./lbs. Refer back to **ILLUSTRATION 3**, if necessary.
- 9) Lower differential (keep steady to avoid pulling out the front driveshaft). Install center differential bracket (**90-1277**) at rear of front differential (see **ILLUSTRATION 5**).
- a) Install the **1/4"** spacer tube (**90-2014**) at rear lower mounting between differential and bracket. Install existing **OEM** bolts through bracket, spacer and into the two bottom holes (with loctite). Torque to 70 ft./lbs.
- b) Install **1-1/8"** spacer tube (**90-2136**) at rear of upper **OEM** rubber mount with **1/2"** x **2-1/2"** hex bolt, **1/2"** flat washer and **1/2"** nyloc nut. Torque to 70 ft./lbs.
- c) Install **3/4"** spacer tube (**90-2022**) at rear of upper **OEM** rubber mount with **1/2"** x **2 1/4"** bolt, **1/2"** flat washer and **1/2"** nyloc nut. Torque to 70 ft./lbs.
- 10) Install passenger side differential drop bracket (**90-1282**) using **1/2"** x **1 1/4"** hex bolt with **1/2"** flat washer and nyloc nut into upper hole of **OEM** rubber mount. Wide part of the bracket should be at bottom with hole towards front, as shown in **ILLUSTRATION 6**. Reinstall **OEM** bolt through the bracket and into side of differential (using loctite). Torque to 70 ft./lbs.
- 11) Install driver side of differential drop bracket (**90-1283**) using **OEM** bolts in two bottom holes



(using loctite). Use 1/2" x 1 1/4" hex bolts, 1/2" flat washers and 1/2" nyloc nuts in two upper holes. Torque to 70 ft./lbs. (see ILLUSTRATION 7).

12) Remove tie rods from steering knuckles. Remove two bolts on the back side of spindle which hold the metal bracket for the brake hose.

13) Support the lower a-arm with floor jack and separate upper ball joint from spindle. Using file, file corners off of OEM spindle to contour with the OEM spindle top surface. Clean out hole on top of the steering knuckle (spindle).

14) Insert tapered spindle sleeve (90-4026) with small end going downward. Install 5/8" x 2 1/2" hex bolt and 5/8" lock nut (see ILLUSTRATION 8). Torque to 100 ft./lbs.

15) Referring again to ILLUSTRATION 8, reinstall brake hose bracket to new spindle with OEM bolts (using loctite). Torque to 120 ft./lbs. Insert spindle into upper ball joint; tighten. Torque to 105 ft./lbs. Reinstall tie rod. Torque to 67 ft./lbs. Reinstall all cotter pins.

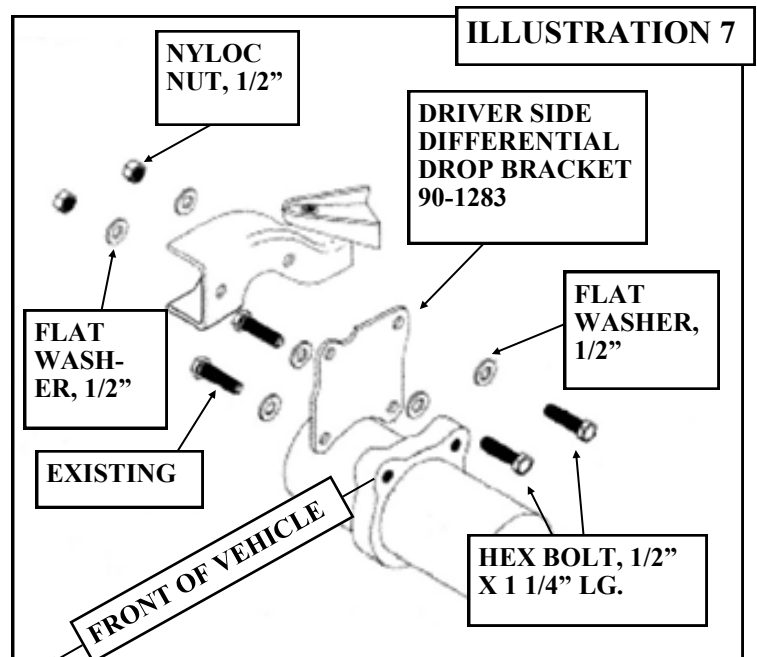
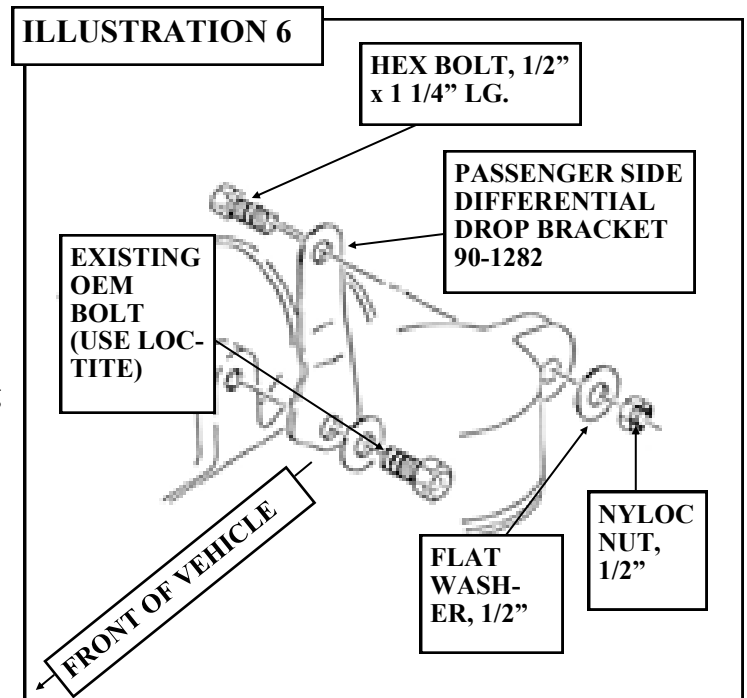
16) File down front bumpstop lip on each side of front for shock clearance. Install new, longer shocks and tighten.

17) Remove stock bumpstop from bracket and attach to one end of bumpstop spacer (90-2134). Install the other end of the bumpstop spacer to the bumpstop bracket using a 3/8" x 1" hex bolt with a 3/8" washer and 3/8" nyloc nut (see ILLUSTRATION 9). Repeat on other three bumpstops. Keep front steel bumpstop spacers at an angle to clear shock. Rear bumpstop spacers do not need to be at an angle.

18) Reinstall sway bar with the two sway bar drop down brackets using OEM bolts and nuts in top holes, adding a 5/16" flat washer to the OEM flat washers; tighten. Install sway bar to bottom of drop down bracket using 5/16" x 1" hex bolts, 5/16" flat washers and 5/16" nyloc nuts; tighten (see ILLUSTRATION 10).

NOTE: Driver side - Use first forward round hole and rear slotted hole with slant downward, open side inward. Passenger side - Use first slotted hole and rear round hole with slant downward, open side inward. Tighten sway bar bracket bolts and sway bar pins in a-arm.

19) Install the front wheel and lower the vehi-

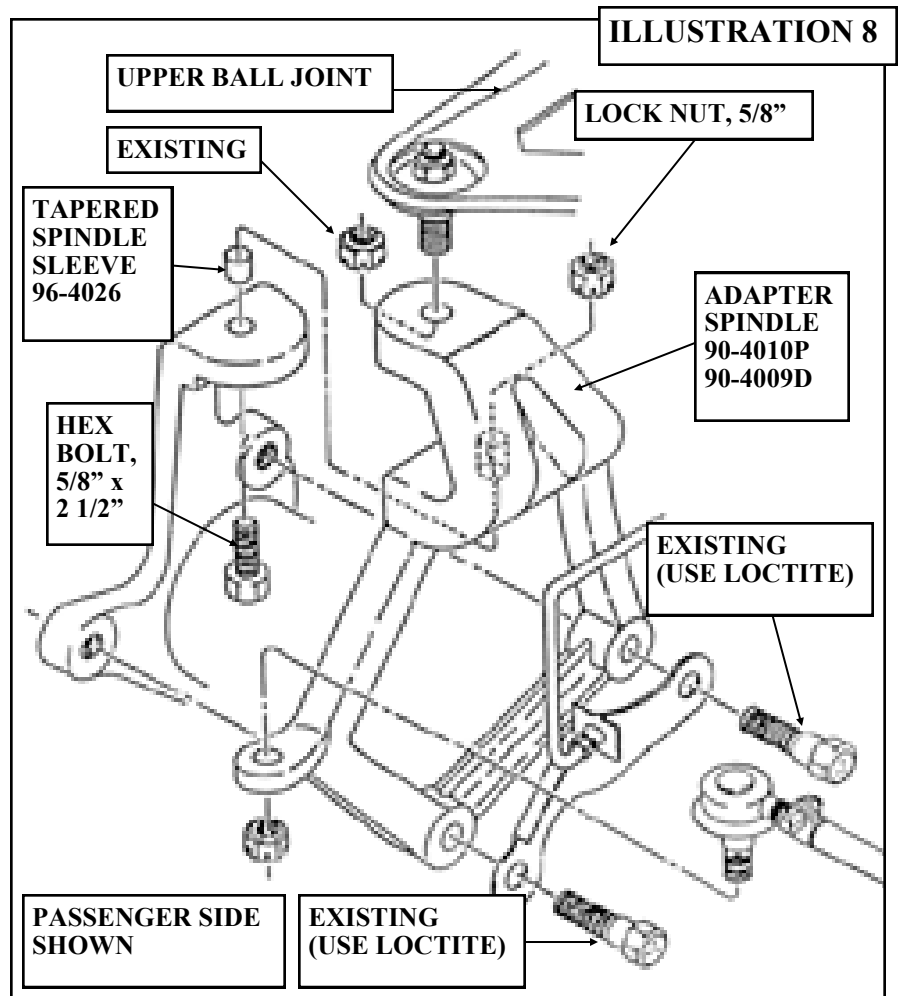


cle.

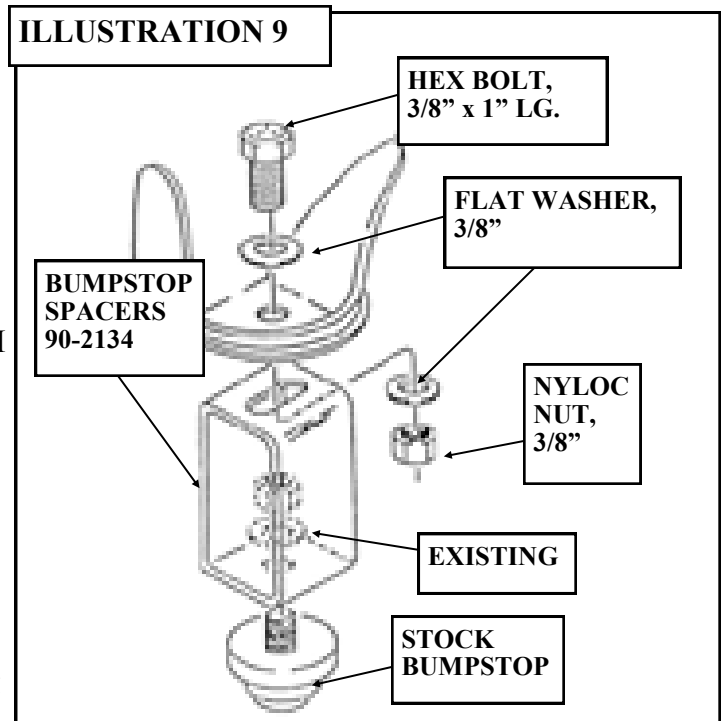
NOTE:

- ⇒ Measure from center of eccentric adjustment bolt to ground to ensure proper height.
- ⇒ On alignment, both sides inner and outer tie rods may need to be pulled out of adjusting sleeve and cut 1/2" off tie rod ends so proper adjustment can be achieved.
- ⇒ When installing larger tires and wheels, check for clearance at upper a-arm. **STANDARD OFFSET WHEEL MUST BE USED.**
- ⇒ After installation is complete, double check that all nuts and bolts are tight. (Do not retighten nuts and bolts where loctite was used). recheck periodically.

**REAR: 86-89 4-Runner
86-95 Pickup**



- 1) Place floor jack under rear axle and raise vehicle. Place jack stands under frame to support vehicle. Set emergency brake and block front wheels, in front and behind tires. Remove wheels and shocks.
- 2) Pull out brake line clip at rear brake hose bracket. Bolt rear brake line drop down bracket (90-1280) to existing bracket using 3/8" x 1" hex bolt, 3/8" flat washer and 3/8" nyloc nut; tighten. Install brake line into lower bracket hole and reinstall OEM brake line clip (see ILLUSTRATION 11).
- 3) Unbolt brake equalizer arm bracket from axle. Install rear brake cable extension (90-1276) to axle with OEM bolts and tighten. Mount equalizer cable bracket to top of extension using 5/16" x 1" hex bolts and 5/16" nyloc nuts and tighten (see ILLUSTRATION 12).
- 4) Loosen emergency brake cables by removing cotter pin, pulling pin out from back side of brake



backing plate at adjuster.

5) Remove u-bolts, lower axle and install 3 1/2" tapered blocks with tapered end towards transmission (see ILLUSTRATION 13). Install new u-bolts, washers and nuts, then tighten. Reinstall emergency brake cable, keeping cable under spring.

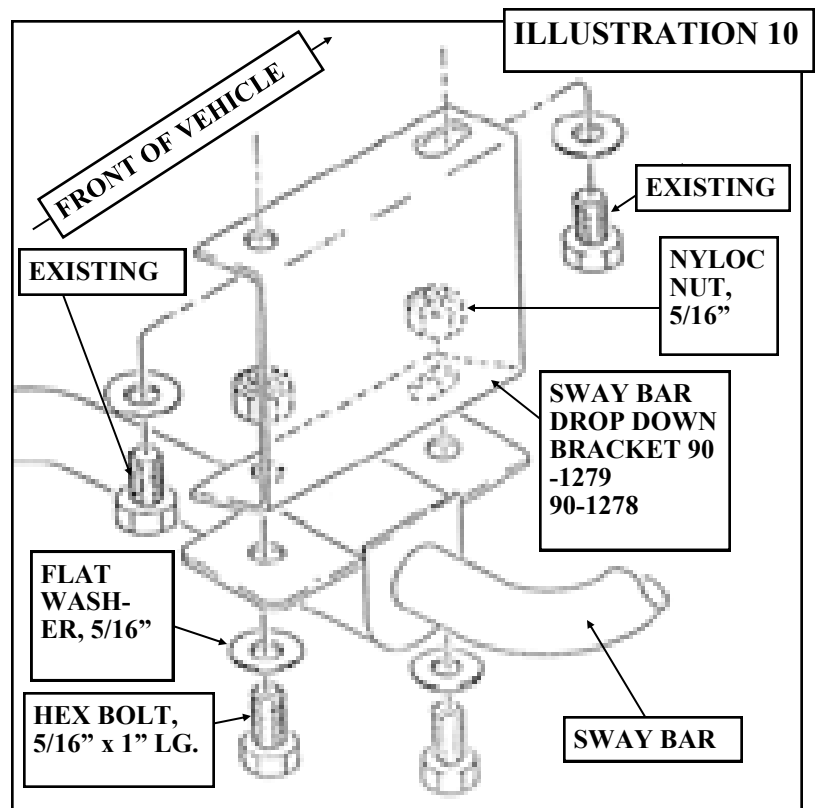
6) Install new, longer shock absorbers.

7) Install the rear wheels and lower the vehicle.

NOTE:

⇒ After installation is complete, double check that all nuts and bolts are tight. (Do not retighten nuts and bolts where loctite was used).

⇒ Recheck periodically



TORQUE SPECIFICATIONS:

A-Arm Drop Bracket Bolts.....	100
ft./lbs.	
Crossmember Bolts.....	45
ft./lbs.	
Eccentric Bolts.....	103
ft./lbs.	
Center Differential Bolts.....	70
ft./lbs.	
Pass Differential Brkt. Bolt.....	70
ft./lbs.	
Drvr. Differential Bolts.....	70
ft./lbs.	
Tapered Spindle Sleeve Bolt.....	100
ft./lbs.	
Brake Hose Brkt. to Spindle.....	120
ft./lbs.	

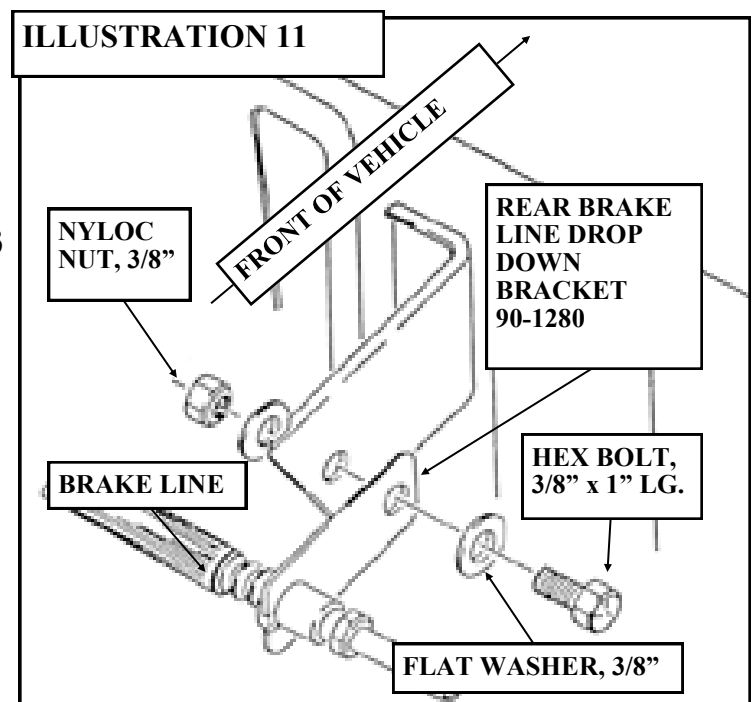
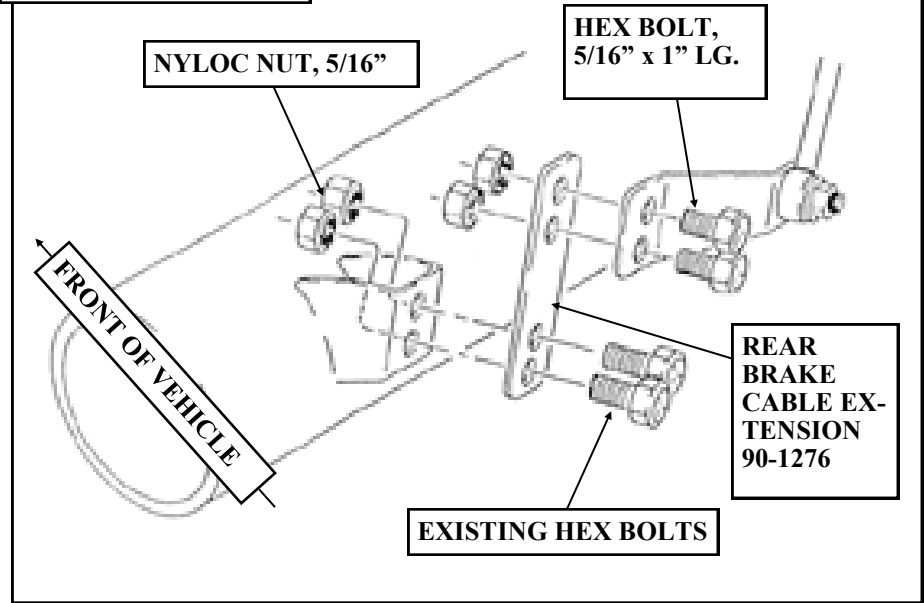
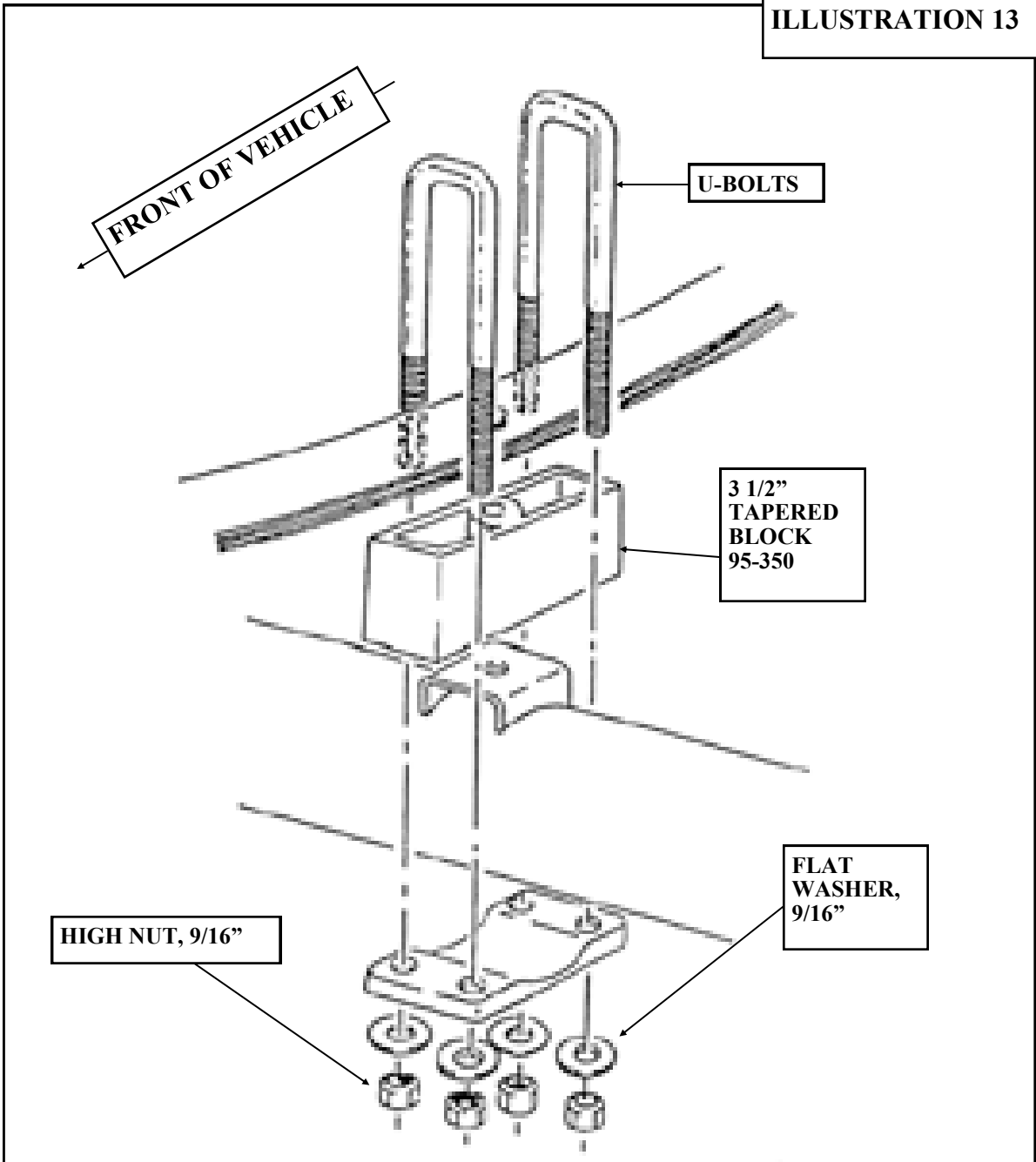


ILLUSTRATION 12



Spindle to Upper Ball Joint.....	105 ft./lbs.
Tie Rod.....	67 ft./lbs.
U-Bolts.....	100 ft./lbs.

ILLUSTRATION 13



Revision Page:

7.28.05: Latest revision

8.24.21: Added K5054T/ 60T/ 61T and created new revision page

Use this only as a guide for hardware without a called out torque specification in the instruction manual.

Bolt Torque and ID						
Decimal System			Metric System			
All Torques in Ft. Lbs. Maximums						
Bolt Size	Grade 5	Grade 8	Bolt Size	Class 9.8	Class 10.9	Class 12.9
5/16	15	20	M6	5	9	12
3/8	30	45	M8	18	23	27
7/16	45	60	M10	32	45	50
1/2	65	90	M12	55	75	90
9/16	95	130	M14	85	120	145
5/8	135	175	M16	130	165	210
3/4	185	280	M18	170	240	290

1/2-13x1.75 HHCS

Grade 5 Grade 8
(No. of Marks + 2)

D T L X

G = Grade (Bolt Strength)
D = Nominal Diameter (Inches)
T = Thread Count (Threads per Inch)
L = Length (Inches)
X = Description (Hex Head Cap Screw)

M12-1.25x50 HHCS

D T L X

P = Property Class (Bolt Strength)
D = Nominal Diameter (Millimeters)
T = Thread Pitch (Thread Width, mm)
L = Length (Millimeters)
X = Description (Hex Head Cap Screw)

Notice to Owner operator, Dealer and Installer:

Vehicles that have been enhanced for off-road performance often have unique handling characteristics due to the higher center of gravity and larger tires. This vehicle may handle, react and stop differently than many passenger cars or unmodified vehicles, both on and off-road. You must drive your vehicle safely! Extreme care should always be taken to prevent vehicle rollover or loss of control, which can result in serious injury or even death. Always avoid sudden sharp turns or abrupt maneuvers and allow more time and distance for braking! Pro Comp reminds you to fasten your seat belts at all times and reduce speed! We will gladly answer any questions concerning the design, function, maintenance and correct use of our products.

Please make sure your Dealer/Installer explains and delivers all warning notices, warranty forms and instruction sheets included with Pro Comp product.

Application listings in this catalog have been carefully fit checked for each model and year denoted. However, Pro Comp reserves the right to update as necessary, without notice, and will not be held responsible for misprints, changes or variations made by vehicle manufacturers. Please call when in question regarding new model year, vehicles not listed by specific body or chassis styles or vehicles not originally distributed in the USA.

Please note that certain mechanical aspects of any suspension lift product may accelerate ordinary wear of original equipment components. Further, installation of certain Pro Comp products may void the vehicle's factory warranty as it pertains to certain covered parts; it is the consumer's responsibility to check with their local dealer for warranty coverage before installation of the lift.

Warranty and Return policy:

Pro Comp warrants its full line of products to be free from defects in workmanship and materials. Pro Comp's obligation under this warranty is limited to repair or replacement, at Pro Comp's option, of the defective product. Any and all costs of removal, installation, freight or incidental or consequential damages are expressly excluded from this warranty. Pro Comp is not responsible for damages and / or warranty of other vehicle parts related or non-related to the installation of Pro Comp product. A consumer who makes the decision to modify his vehicle with aftermarket components of any kind will assume all risk and responsibility for potential damages incurred as a result of their chosen modifications. Warranty coverage does not include consumer opinions regarding ride comfort, fitment and design. Warranty claims can be made directly with Pro Comp or at any factory authorized Pro Comp dealer.

IMPORTANT! To validate the warranty on this purchase please be sure to mail in the warranty card.

Claims not covered under warranty-

- Parts subject to normal wear, this includes bushings, bump stops, ball joints, tie rod ends and heim joints
 - Discontinued products at Pro Comp's discretion
- Bent or dented product
- Finish after 90 days
- Leaf or coil springs used without proper bump stops
- Light bulbs
- Products with evident damage caused by abrasion or contact with other items
- Damage caused as a result of not following recommendations or requirements called out in the installation manuals
- Products used in applications other than listed in Pro Comp's catalog
- Components or accessories used in conjunction with other manufacturer's systems
- Tire & Wheel Warranty as per Pro Competition Tire Company policy
- Warranty claims without "Proof of Purchase"
- Pro Comp Pro Runner coil over shocks are considered a serviceable shock with a one-year warranty against leakage only. Rebuild service and replacement parts will be available and sold separately by Pro Comp. Contact Pro Comp for specific service charges.
- Pro Comp accepts no responsibility for any altered product, improper installation, lack of or improper maintenance, or improper use of our products.

E-Mail: tech@explorerprocomp.com
Website: www.explorerprocomp.com
Fax: (619) 216-1474
Ph: (619) 216-1444

<u>PLACE</u>
<u>WARRANTY REGISTRATION</u>
<u>NUMBER</u>
HERE: _____