



400 W. Artesia Blvd Compton, CA 90220
 Phone: 800-776-0767 Ext. 1317
 E-Mail: info@procompusa.com

57050BX-2 INSTALL INSTRUCTIONS



WARNING: Cancer and Reproductive Harm
www.P65Warnings.ca.gov

2022 TUNDRA 2.5RR 0-1 IN

57050BX-2 BOX CONTENTS		
QTY.	PART NO.	DESCRIPTION
2	90-40981-00075	22TUNDRA 2.5RR IR 0-1 IN
2	61-40925-00033	SPCR 1.25 X .75 X .20
1	INST-57050BX-2	INSTRUCTIONS

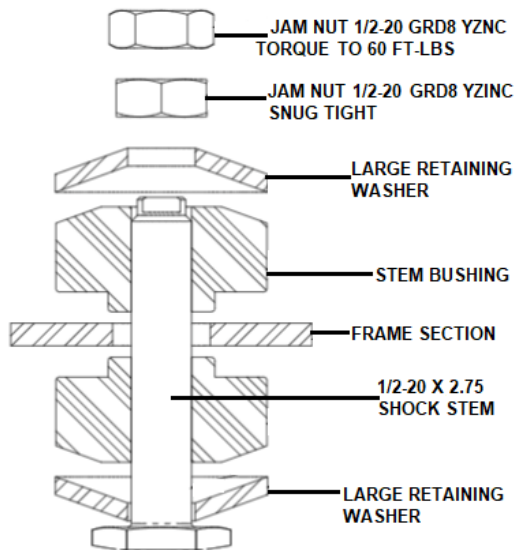
TECH NOTES:

1. THESE SHOCK ASSEMBLIES COME FACTORY CHARGED AT 150 PSI. RELEASING NITROGEN PRESSURE FROM THE CHARGE PORT MAY LEAD TO SHOCK MALFUNCTION AND REDUCED RIDE QUALITY. FAILURE CAUSED BY RELEASING NITROGEN PRESSURE IS NOT COVERED BY WARRANTY.
2. RIDE TUNE OPTIMIZED FOR USE IN CONJUNCTION WITH **57050BX-1** COILOVER KIT.

INSTALLATION:

1. If upgrading to these shocks, ensure that your workspace is of adequate size and the work surface is level. Place the vehicle in park and set the parking brake. Place safety wheel blocks in front of and behind the front tires. Place floor jack under the rear axle and raise vehicle. Place jack stands under the frame rails in front of the rear wheel wells and lower the frame onto the stands. Continue to support the rear axle with the jack.
2. Remove upper stem nut from OE shock.
3. Remove lower bolt from shock axle mount and remove shock.
4. Install a large retaining washer and bushing stem onto the new PRO COMP shock stem and insert into factory upper shock mount. **Figure (A) for reference.**
5. Fasten other bushing and retaining washer and one jam nut. Only tighten nut until bushing assembly is snug within the mount. The shock should not be able to move up and down in the bushing mount nor should it feel rigid.
6. Install spacer **61-40925-00033** on to the lower shock mount and then install the shock so the charge port faces in. **See Image (B).** A jack under the axle may help position it in place.
7. Fasten lower OE hardware and torque to OE specification
8. Install jam nut onto upper stem and torque to 60ft-lbs holding the lower jam nut to not increase bushing preload.

⚠ WARNING: Improper bushing preload causes premature wear and will affect ride quality.
9. Repeat on opposite side.
10. Recheck all hardware for tightness after 100 miles and every off road use.



(A)



CHARGE PORT

(B)

Notice to Owner operator, Dealer and Installer:

Vehicles that have been enhanced for off-road performance often have unique handling characteristics due to the higher center of gravity and larger tires. This vehicle may handle, react and stop differently than many passenger cars or unmodified vehicles, both on and off-road. You must drive your vehicle safely! Extreme care should always be taken to prevent vehicle rollover or loss of control, which can result in serious injury or even death. Always avoid sudden sharp turns or abrupt maneuvers and allow more time and distance for braking! Pro Comp reminds you to fasten your seat belts at all times and reduce speed! We will gladly answer any questions concerning the design, function, maintenance and correct use of our products.

Please make sure your Dealer/Installer explains and delivers all warning notices, warranty forms and instruction sheets included with Pro Comp product.

Application listings in this catalog have been carefully fit checked for each model and year denoted. However, Pro Comp reserves the right to update as necessary, without notice, and will not be held responsible for misprints, changes or variations made by vehicle manufacturers. Please call when in question regarding new model year, vehicles not listed by specific body or chassis styles or vehicles not originally distributed in the USA.

Please note that certain mechanical aspects of any suspension lift product may accelerate ordinary wear of original equipment components. Further, installation of certain Pro Comp products may void the vehicle's factory warranty as it pertains to certain covered parts; it is the consumer's responsibility to check with their local dealer for warranty coverage before installation of the lift.

Warranty and Return policy:

Pro Comp warrants its full line of products to be free from defects in workmanship and materials. Pro Comp's obligation under this warranty is limited to repair or replacement, at Pro Comp's option, of the defective product. Any and all costs of removal, installation, freight or incidental or consequential damages are expressly excluded from this warranty. Pro Comp is not responsible for damages and / or warranty of other vehicle parts related or non-related to the installation of Pro Comp product. A consumer who makes the decision to modify his vehicle with aftermarket components of any kind will assume all risk and responsibility for potential damages incurred as a result of their chosen modifications. Warranty coverage does not include consumer opinions regarding ride comfort, fitment and design. Warranty claims can be made directly with Pro Comp or at any factory authorized Pro Comp dealer.

IMPORTANT! To validate the warranty on this purchase please be sure to mail in the warranty card.

Claims not covered under warranty-

- Parts subject to normal wear, this includes bushings, bump stops, ball joints, tie rod ends and heim joints
 - Discontinued products at Pro Comp's discretion
- Bent or dented product
- Finish after 90 days
- Leaf or coil springs used without proper bump stops
- Light bulbs
- Products with evident damage caused by abrasion or contact with other items
- Damage caused as a result of not following recommendations or requirements called out in the installation manuals
- Products used in applications other than listed in Pro Comp's catalog
- Components or accessories used in conjunction with other manufacturer's systems
- Tire & Wheel Warranty as per Pro Competition Tire Company policy
- Warranty claims without "Proof of Purchase"
- Pro Comp 2.5 coilover and 2.5 monotube shocks are considered a serviceable shock with a one-year warranty against leakage only. Rebuild service and replacement parts will be available and sold separately by Pro Comp. Contact Pro Comp for specific service charges.
- Pro Comp accepts no responsibility for any altered product, improper installation, lack of or improper maintenance, or improper use of our products.

PLACE
WARRANTY REGISTRATION
HERE: _____