

2360 Boswell Road  
Chula Vista, CA 91914  
Phone 619.216.1444  
Fax 619.216.1474  
E-Mail tech@explorerprocomp.com



## **PRO COMP SUSPENSION**

---

**Suspension Systems that Work!**

**NOTE: This kit is to be used in conjunction with Pro Comp Lift Kits 52880 and 52881 Only!**

**Part# 52470  
2008-2010  
FORD SUPER DUTY  
4WD DOUBLE  
SHOCK HOOP KIT**

**NOTE: This kit is to be used in conjunction with Pro Comp Lift Kits Only!**

This document contains very important information that includes warranty information and instructions for resolving problems you may encounter. Please keep it in the vehicle as a permanent record.

## Box 1-PN 52470-1

Part #	Description	Qty.	Illus.	Page
90-2515	DOUBLE SHOCK HOOP- (Drvr)	1	1	6
90-2517	DOUBLE SHOCK HOOP- (Pass)	1	2	6
90-3936	LOWER MT. BRACKET- (Drvr)	1	3,4	7
90-3940	LOWER MT. BRACKET- (Pass)	1	-	-
90-6315	<b>HARDWARE PACK: Sway Bar Frame Mount</b>	1	-	-
70-0431751800	7/16" X 1 3/4" HEX CAP GR. 8	4	8	10
72-043100816	7/16" STOVER NUT	4	8	10
73-04300830	7/16" HARDENED FLAT WASHER	8	8	10
90-6299	<b>HARDWARE PACK: Front Brake Lines Drop</b>	1	-	-
70-0311001800	5/16" X 1" HEX BOLT GR. 8	2	-	-
72-0531100816	5/16" NYLOCK NUT	2	-	-
73-03100034	5/16" HARDENED FLAT WASHER	4	-	-
90-3976	<b>BRAKE LINE DROP</b>	2	-	-
90-6583	<b>HARDWARE PACK: Sway Bar End Link -Top</b>	1	-	-
600020	3/4" HOURGLASS BLACK	2	-	-
113600020	SLEEVE	2	-	-
90-6585	<b>HARDWARE PACK: Lower Sway Bar End Link Bolt</b>	1	-	-
50C450HCS8Y	1/2" X 4 1/2" HEX BOLT GR. 8	2	9	11
50CNUCZ	1/2" STOVER NUT ZINC	2	9	11
50NWHDY/SAE	1/2" SAE HARDENED FLAT WASHER	4	9	11
90-2756	<b>SWAY BAR END LINK</b>	2	9	11
90-6403	<b>HARDWARE PACK: Limit Strap Adjuster</b>	1	-	-
90-4123	<b>LIMIT STRAP ADJUSTER</b>	2	6	8
90-4122	ADJUSTER NUT	2	6	8
62FNFJZ	5/8" JAM NUT	2	6	8
73-06200034	5/8" HARDENED WASHER	2	6	8
90-6405	<b>HARDWARE PACK: Shock Hardware</b>	1	-	-
90-2521	<b>SPACER 1.375"</b>	2	3,4	7
90-6400	<b>HARDWARE PACK: Double Shock Hoop</b>	1	-	-
70-0502751800	1/2" X 2 3/4" GR. 8 HEX BOLT	8	7	9
70-0501501800	1/2" X 1 1/2" GR. 8 HEX BOLT	3	1,2	6
72-050100816	1/2" STOVER NUT	10	1,2,7	6,9
73-050000830	1/2" SAE FLAT WASHER	21	1,2,7	6,9
72-056100812	9/16" NYLOC NUT	2	-	-
73-05600830	9/16" SAE FLAT WASHER	2	-	-
70-0371251800	3/8" X 1 1/4" GR. 8 HEX BOLT	4	1,2	6
72-037100816	3/8" STOVER NUT	4	1,2	6
73-03700830	3/8" SAE FLAT WASHER	8	1,2	6
70-0437501800	7/16" X 7 1/2" GR. 8 HEX BOLT	2	5	8
72-043100816	7/16" STOVER NUT	2	5	8
73-04300830	7/16" SAE FLAT WASHER	4	5	8

Part #	Description	Qty.	Illus.	Page
90-6419	<b>HARDWARE PACK: Limit Strap</b>	1	-	-
70-0501751807	1/2" X 1 3/4" GR.8 ALLEN HEAD BOLT	2	6	8
72-050100816	1/2" GR. 8 STOVER NUT	2	6	8
73-050000830	1/2" FLAT WASHER	4	6	8
90-6428	<b>HARDWARE PACK: Bushings and Sleeves</b>	1	-	-
600000	5/8" URETHANE HOURGLASS BUSHING	2	-	-
54314	SHOCK SLEEVE 1/2" X 5/8" X 1"	2	-	-
90-2569	<b>BUMP STOP EXTENSION CUP</b>	2	5	8
90-6271	<b>HARDWARE PACK- End Caps</b>	1	-	-
15-11213	1 1/2" END CAP	4	1,2	6
5243-1	<b>LIMIT STRAP-24"</b>	2	3,4	7
90-2754	<b>SLEEVE: 1.00" X .188" WALL 1020</b>	2	9	11
90-6596	<b>HARDWARE PACK: Nut Plates</b>	1	-	-
90-3962	NUT PLATE- 1/2": Drvr Shock Hoop	1	1	6
90-3964	NUT PLATE- 1/2": Pass Shock Hoop	1	2	6
90-1582	NUT PLATE- 1/2": Pass Shock Hoop	1	2	6
90-3944	NUT PLATE- 7/16": Sway Bar Frame Mount	4	8	10

**Additional PRO COMP Equipment Required For installation!**

927501	9000 SERIES FRONT SHOCKS	4*
or		
MX6128	MX-6 SERIES SHOCKS	4*
or		
MX6066R	MX-6 RESERVIOR SHOCKS	4*

\* If reusing MX-6 or MX-6R front shocks only order 2 new shocks.

**Optional Equipment Available from your Pro Comp Distributor!**

52868B: DUAL FRONT COIL OVER UPGRADE KIT,  
52828: TRANSMISSION CROSSMEMBER DROP KIT,  
22518 (x2): LEAF SPRINGS,  
95-550SD (x2): 5 1/2" LIFT BLOCK,  
95-400SD (x2): 4" LIFT BLOCK,  
LIGHTS,  
599: ALIGNMENT CAM KIT,  
72400: TRACTION BARS,  
72099: TRACTION BAR MOUNTING KIT  
219567: DUAL STEERING STABILIZER  
99-400: 4 DEGREE REAR AXLE SHIM KIT

Also, check out our outstanding selection of Pro Comp tires  
to compliment your new installation!

## Introduction:

- ◆ **This installation requires a professional mechanic!**
- ◆ We recommend that you have access to a factory service manual for your vehicle to assist in the disassembly and reassembly of your vehicle. It contains a wealth of detailed information.
- ◆ Prior to installation, carefully inspect the vehicle's steering and driveline systems paying close attention to the tie rod ends, ball joints, wheel bearing preload, pitman and idler arm. Additionally, check steering-to-frame and suspension-to-frame attaching points for stress cracks. The overall vehicle must be in excellent working condition. Repair or replace all worn or damaged parts!
- ◆ Read the instructions carefully and study the illustrations before attempting installation! You may save yourself a lot of extra work.
- ◆ Check the parts and hardware against the parts list to assure that your kit is complete. Separating parts according to the areas where they will be used and placing the hardware with the brackets before you begin will save installation time.
- ◆ Check the special equipment list and ensure the availability of these tools.
- ◆ Secure and properly block vehicle prior to beginning installation.
- ◆ **ALWAYS** wear safety glasses when using power tools or working under the vehicle!
- ◆ Use caution when cutting is required under the vehicle. The factory undercoating is flammable. Take appropriate precautions. Have a fire extinguisher close at hand.
- ◆ Foot pound torque readings are listed on the Torque Specifications chart at the end of the instructions. These are to be used unless specifically directed otherwise. Apply thread lock retaining compound where specified.
- ◆ ***Please note that while every effort is made to ensure that the installation of your Pro Comp lift kit is a positive experience, variations in construction and assembly in the vehicle manufacturing process will virtually ensure that some parts may seem difficult to install. Additionally, the current trend in manufacturing of vehicles results in a frame that is highly flexible and may shift slightly on disassembly prior to installation. The use of pry bars and tapered punches for alignment is considered normal and usually does not indicate a faulty product. However, if you are uncertain about some aspect of the installation process, please feel free to call our tech support department at the number listed on the cover page. We do not recommend that you modify the Pro Comp parts in any way as this will void any warranty expressed or implied by the Pro Comp Suspension company.***

## Installation:

1. Block rear wheels.
2. Raise and support front axle and frame with jack stands.
3. Remove the front wheels.
4. Unbolt the sway bar from the sway bar end links on both sides of the vehicle. Remove the end links and sway bar from the vehicle. Save the hardware for reinstallation.
5. Unbolt the lower brake line bracket and ABS clips from the lower coil block. Save hardware for reuse
6. Raise the front axle enough to relieve tension on the shock hardware and remove the shocks from the vehicle.
7. Lower the front axle enough to remove the coil springs from the front spring pockets. Save the factory isolators and springs for reuse.

**NOTE: Be sure to support the axle while the springs and shocks are removed.**

8. Work on one side of the vehicle at a time.
9. On the driver side, remove the front lower mounting bolt from the frame that connects the steering box to the frame.
10. Insert the shock hoop (90-2515) with the short arm of the hoop to the rear of the truck. Guide the center hole in the bracket to fit around the upper coil spring locator. Clamp the upper plate to the top of the coil bucket. Secure using the previously removed steering box bolt. See ILLUSTRATION 1.

**NOTE: Use thread locker on the steering box bolt and start it by hand to ensure it goes in properly.**

11. Drill out the existing rear mounting hole to 1/2". See ILLUSTRATION 1.
12. Bolt the hoop rear mounting tube to the frame using the supplied 1/2" X 1 1/2" bolt and the supplied nut plate (90-3946) in the rear mounting hole. See ILLUSTRATION 1.

**NOTE: You will have to reach through the hole in the frame opening to access the bolt from the back side.**

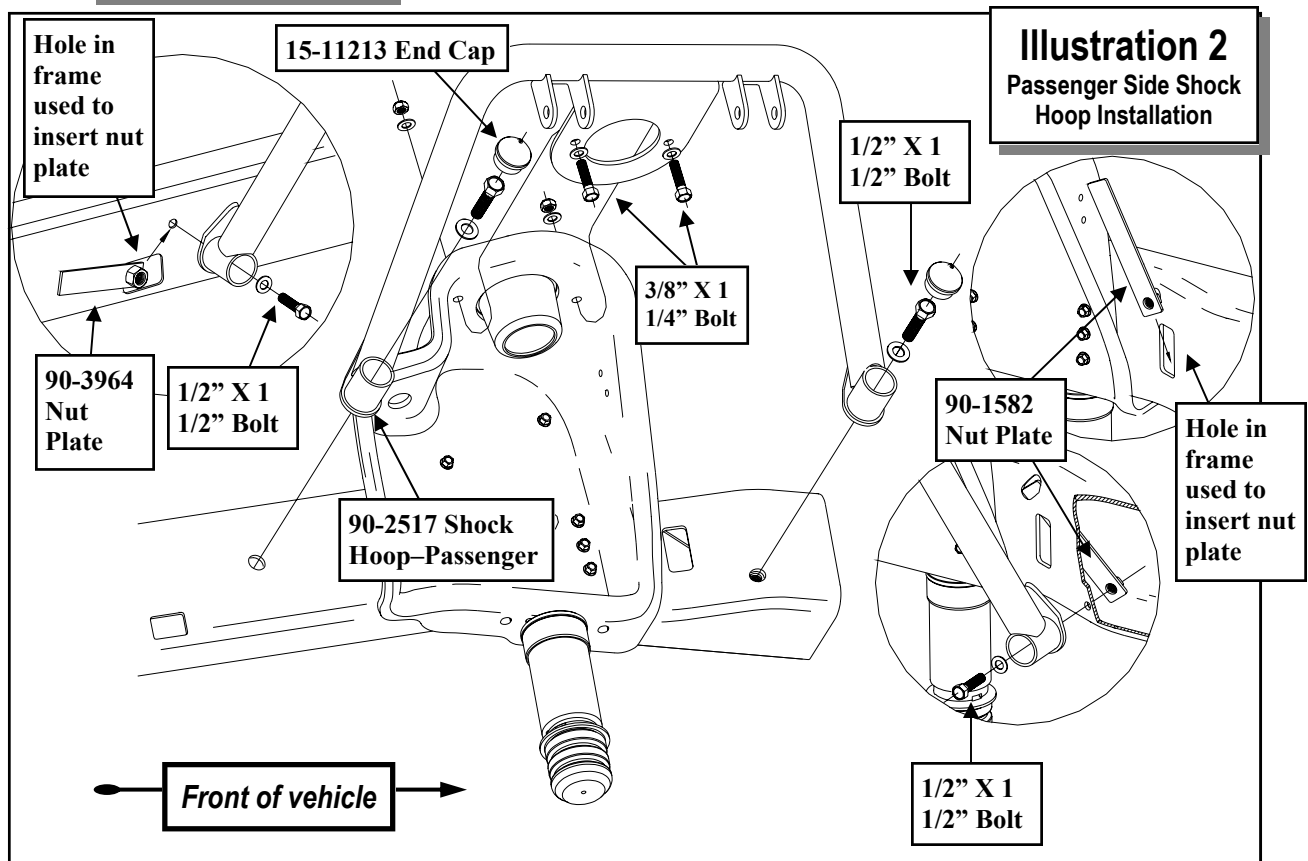
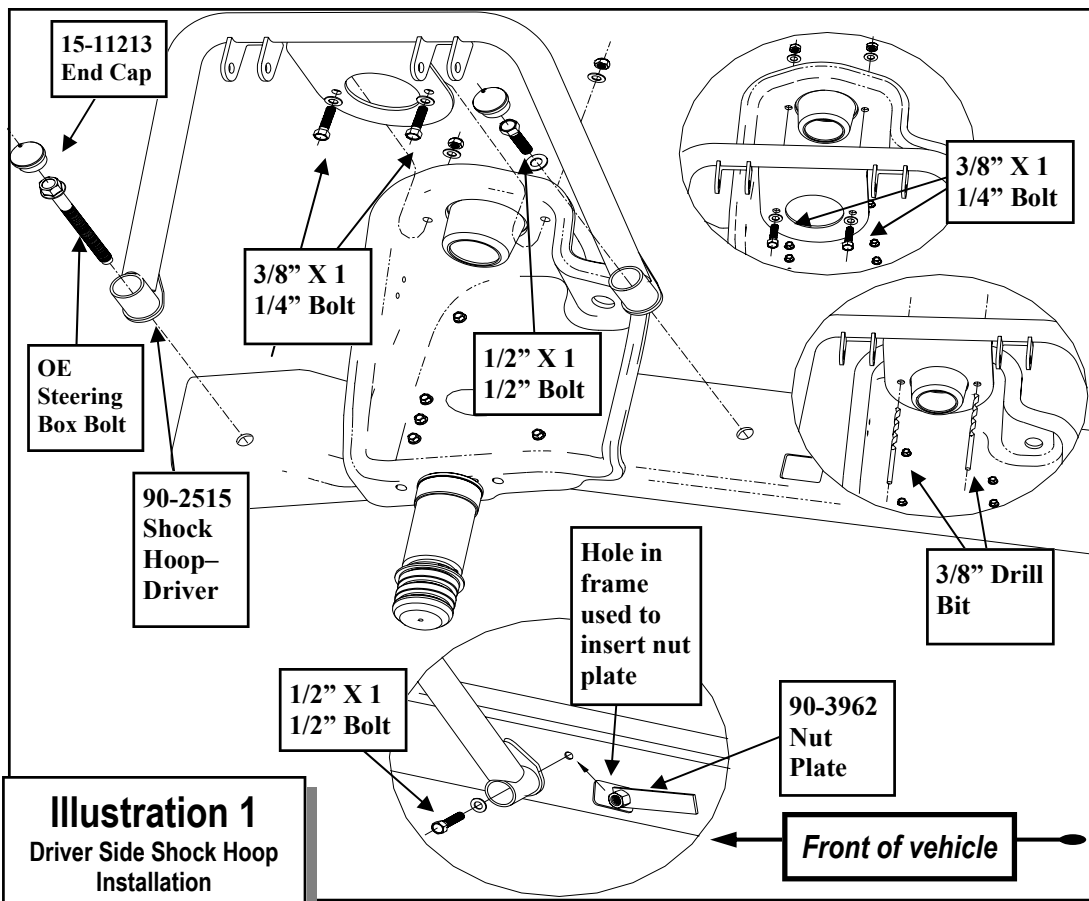
13. Use the existing holes in the hoop bracket as a template to center punch the mounting holes in the coil bucket. See ILLUSTRATION 1.
14. Using a drill stop to prevent drilling through the inner fender, drill out the previously marked holes with a 3/8" bit.

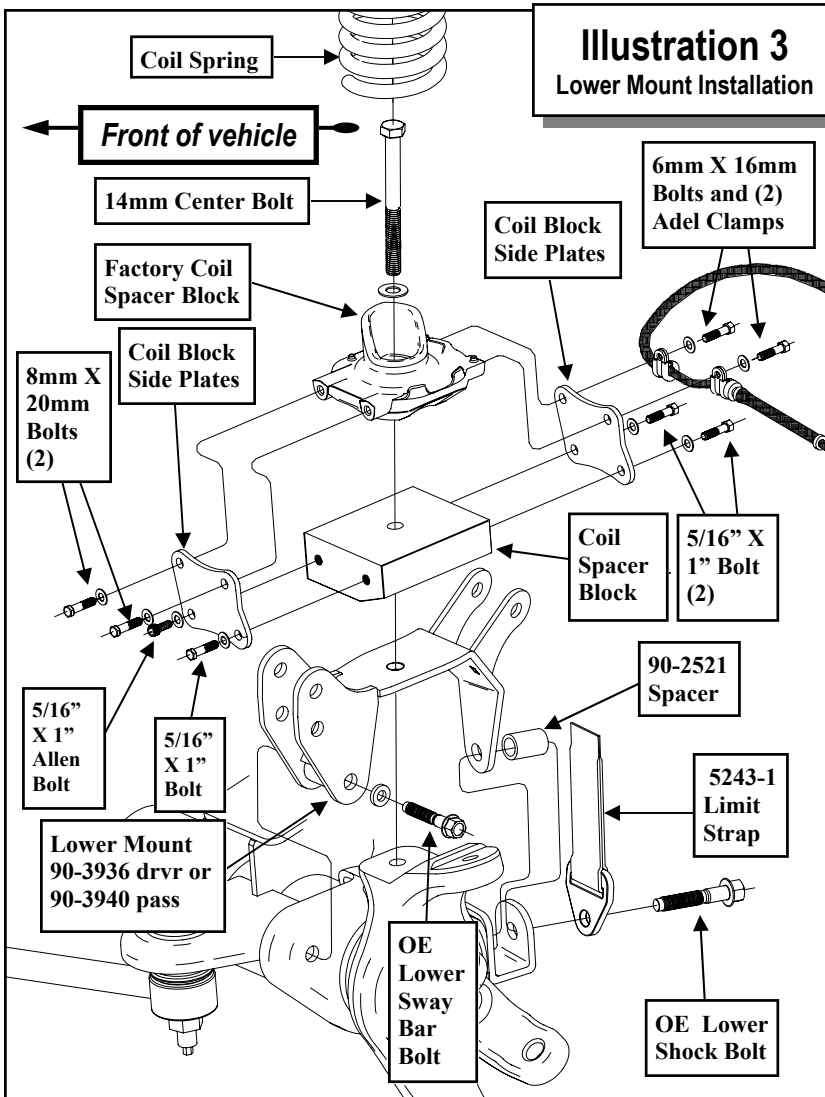
**CAUTION! Be very careful not to drill through the plastic inner fender and any wiring that may be attached to it.**

15. Bolt the center bracket to the coil bucket using the supplied 3/8" X 1 1/4" bolts from pack (90-6400).

**NOTE: Using a pry bar or large screwdriver to pry the inner fender up to aid in installing the nuts on the bolts.**

16. On the passenger side, insert the shock hoop (90-2517) with the short arm of the hoop to the rear of the truck. Guide the center hole in the bracket to fit around the upper coil spring locator. Clamp the upper plate to the top of the coil bucket. See ILLUSTRATION 2.
17. Locate the rear hole and drill out the existing rear mounting hole to 1/2". See ILLUSTRATION 2.  
**NOTE: Some vehicles may not have an existing rear mounting hole in the frame. Drill a 1/2" hole in the frame using the rear mounting hole using the hoop as a guide.**
18. Secure the rear of the shock hoop to the rear mounting hole using the supplied 1/2" X 1 1/2" bolt and the supplied nut plate (90-3946). See ILLUSTRATION 2.
19. Make sure the front mount is sitting flush against the frame and center punch and drill the front 1/2" mounting hole using the hoop front mount as a guide. See ILLUSTRATION 2.
20. Bolt the hoop mounting tubes to the frame using the supplied 1/2" X 1 1/2" bolt and the nut





**Illustration 3**  
Lower Mount Installation

plate (90-1582) in the mounting holes. See ILLUSTRATION 2.

**NOTE:** The brake line bracket on the frame will need to be temporarily removed in order to access the hole in the frame to insert the nut plate.

21. Use the existing holes in the bracket as a template to center punch the mounting holes lower on the frame.

22. Using a drill stop to prevent drilling through the inner fender, drill out the previously marked holes with a 3/8" bit. See ILLUSTRATION 1.

**CAUTION!** Be very careful not to drill through the plastic inner fender and any wiring that may be attached to it.

23. Bolt the center bracket to the coil bucket using the supplied 3/8" X 1 1/4" bolts. See ILLUSTRATION 2.

**NOTE:** Using a pry bar or large screwdriver to pry the inner fender up to aid in installing the nuts on the bolts.

24. Torque all hoop hardware as specified in the torque chart. Torque the hoop to frame mounts before the upper bracket mounts.

Re-torque all (3) steering box bolts to 111 ft. lbs.

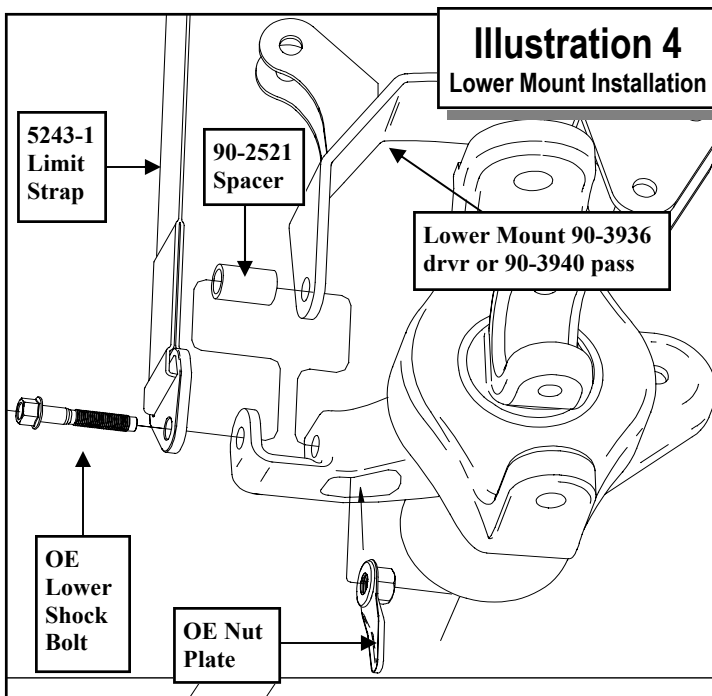
25. Install (15-11213)- 1 1/2" end cap in the end of the shock hoops. See ILLUSTRATION 1,2.

26. Working on one side of the vehicle at a time, remove the center bolt from the lower coil spring spacer block. See ILLUSTRATION 3.

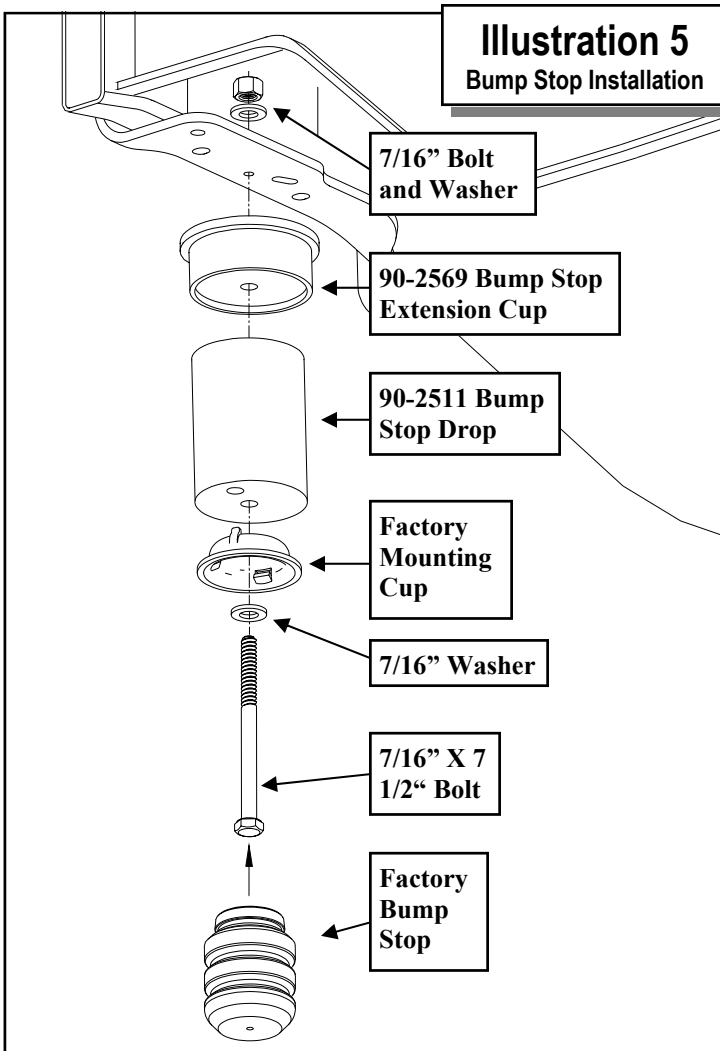
27. Remove the coil spacer block assembly and install the lower shock mounting bracket (90-3936 drvr and 90-3940 pass) to the axle. See ILLUSTRATION 3.

28. Reinstall the factory coil spacer block assembly and secure with the previously removed center bolt. See ILLUSTRATION 3.

**NOTE:** If installing this hoop kit at the same time as the 8" suspension kit, refer



**Illustration 4**  
Lower Mount Installation



**Illustration 5**  
Bump Stop Installation

*back suspension kit instructions for coil spacer block assembly.*

29. Using pliers carefully open the front brake line retaining bracket. Remove the rubber brake hose from the bracket. The bracket will not be reused.

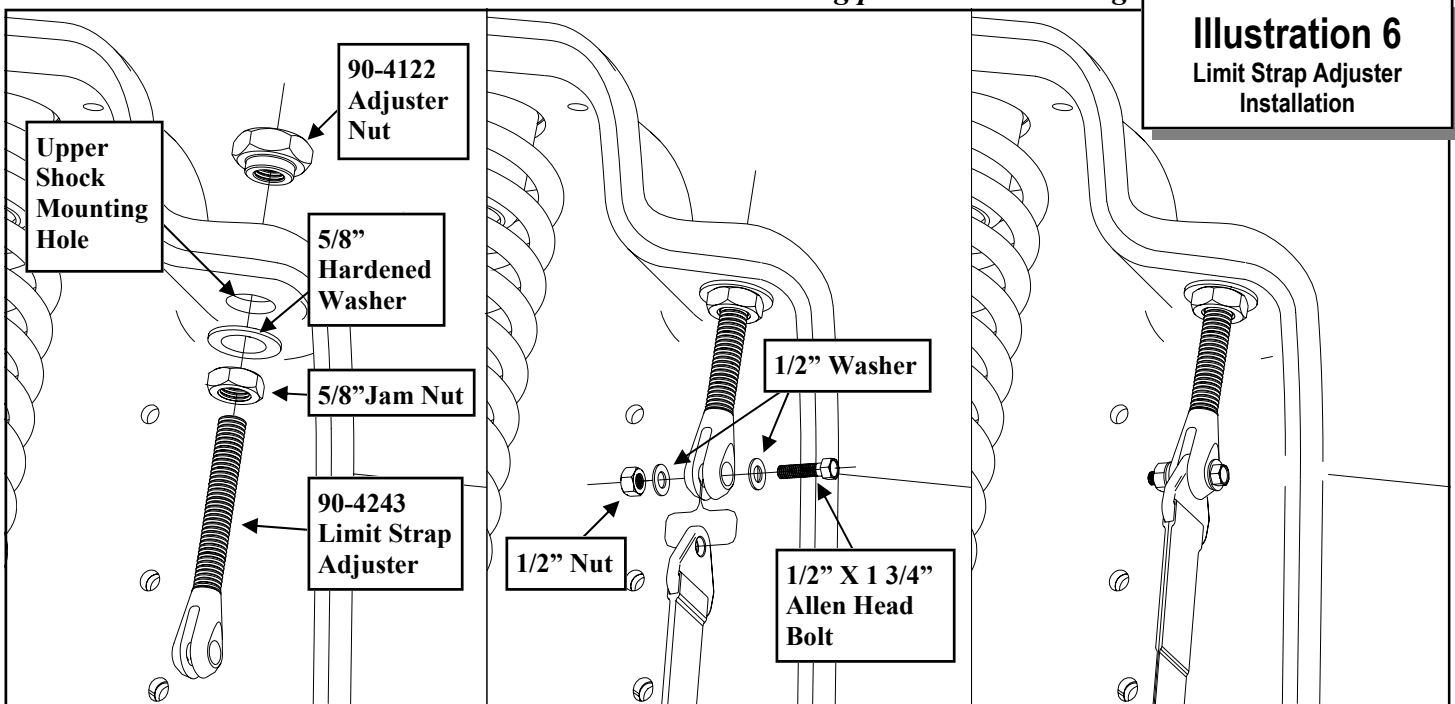
**NOTE:** *Be very careful to not damage the rubber line in any way during it's removal from the bracket.*

30. Bolt the brake line relocation bracket (90-3976) to the existing brake line bracket hole using the previously removed OE bolt.
31. Bolt the brake line bracket to the brake line relocation bracket (90-3976) using the supplied 5/16 inch x 1 inch bolt and hardware.

**NOTE:** *You may need to carefully pull down and bend the metal brake line down to create enough slack to accommodate the new lower mounting position. Be sure to tuck the lines back up under the frame.*

**NOTE:** *Be sure the brake line is routed so it does not rub or contact the shocks.*

**NOTE:** *On the driver side make sure that the metal brake line does not come in contact with the steering shaft, rag joint or any moving parts or non-moving*



**Illustration 6**  
Limit Strap Adjuster Installation



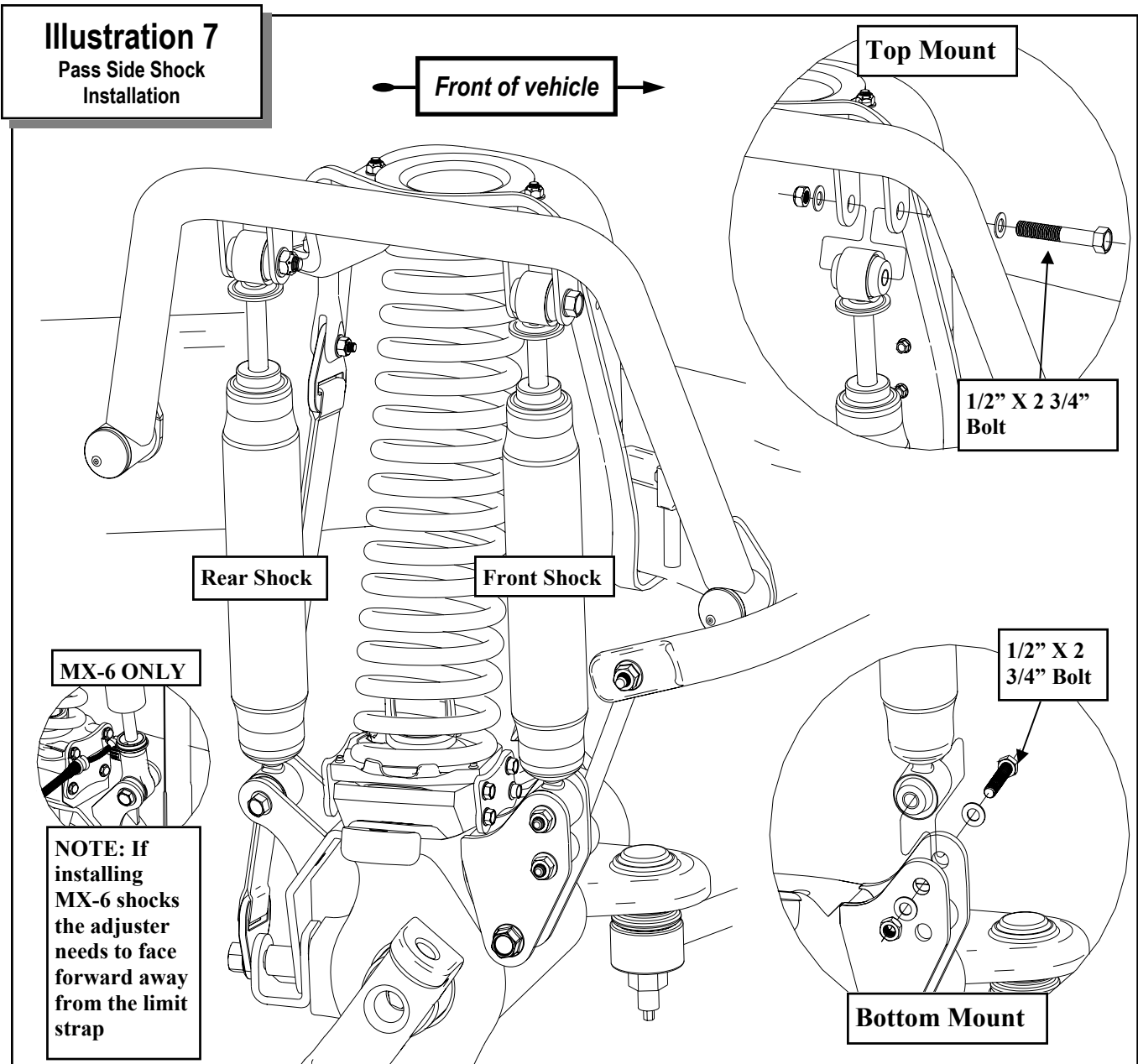
parts.

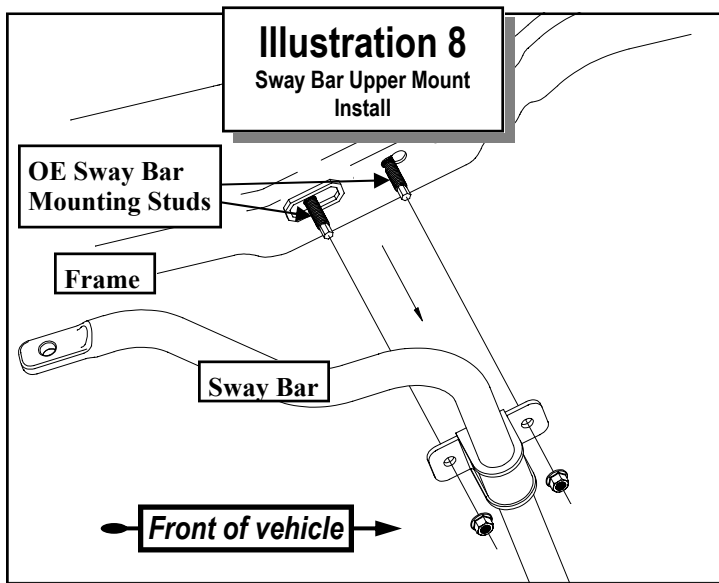
32. Bolt the front of the lower shock mounting bracket to the lower sway bar end link mounting hole on the front axle using the previously removed **14mm** bolt. See ILLUSTRATION 4.
33. Slide one end of the limit strap onto the **OE** lower shock mount bolt and install to the front axle lower shock mounting hole with the spacer (**90-2521**) on the inside of the factory shock pocket. Secure using the **OE** nut plate.

See ILLUSTRATION 4.

**NOTE: Make sure the limit strap (5243-1) is pointing up when installing it on the bolt.**

34. Torque the lower mount hardware (center bolt, rear bolt, front bolt) according to the torque chart on page 13 and the factory manual.
35. Remove the bump stop and unbolt the Pro Comp bump stop extension.
36. Reinstall assembly with the new bump stop

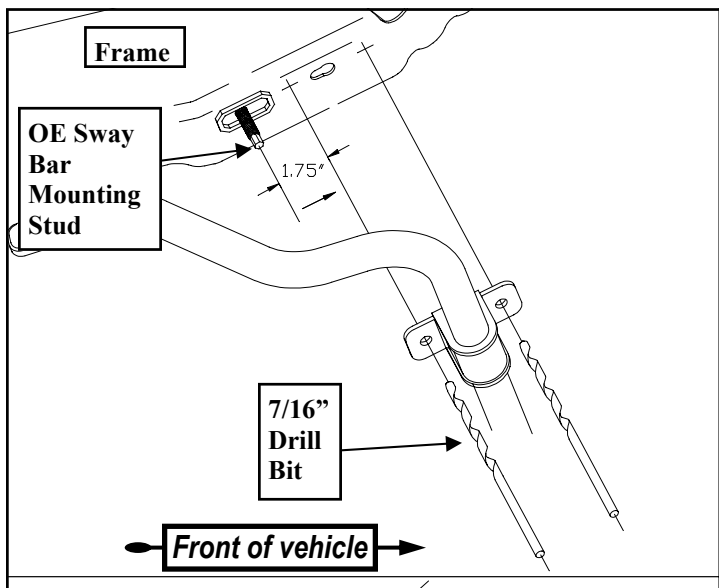




extension base cup (90-2569), new 7/16" X 7 1/2" bolt and bump stop. See ILLUSTRATION 5.

37. Using the factory isolators reinstall the front coil springs into the spring buckets and raise the axle into place.
38. Thread the 5/8" jam nut about half way down the limit strap adjuster (90-4121).
39. From the bottom, insert the limit strap adjuster, 5/8" hardened washer and jam nut into the upper stock shock mount. Secure to the frame using the adjuster nut (90-4123). See ILLUSTRATION 6.

**NOTE:** Leave strap slightly loose to ease the installation of the upper adjuster to the upper coil bucket.



40. Insert the limit strap top mount into the slit in the limit strap adjuster. Secure using the 1/2" X 1 3/4" Allen head bolt and hardware. See ILLUSTRATION 6.

41. Install the new shocks (927501 w/ shaft up, MX6128 or MX6066R) to the shock hoop using the supplied 1/2" X 2 3/4" bolts. Torque according to the torque chart. Use thread locker on these bolts. See ILLUSTRATION 7.

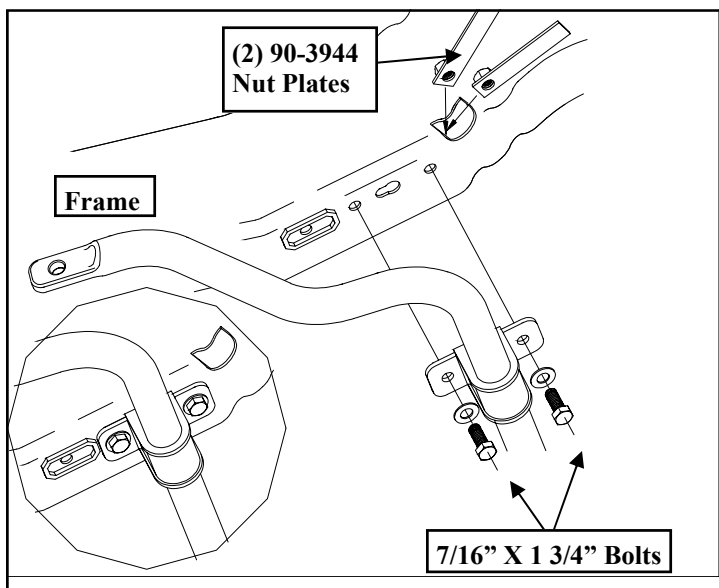
**NOTE:** Be sure the head of the shock mounting bolt are facing toward the inside of the vehicle.

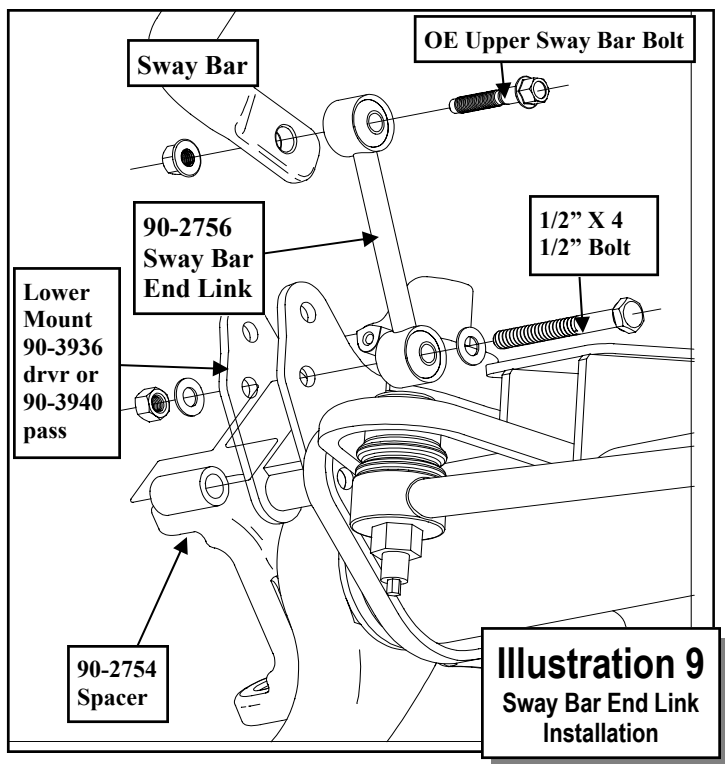
**NOTE:** If reusing an existing MX-6 or MX-6R shock use sleeves, bushings and instructions from pack 90-6428.

42. Install the bottom of the rear shock to the lower mount using the 1/2" X 2 3/4" bolt and hardware. See ILLUSTRATION 7.

**NOTE:** Be sure the head of the shock mounting bolt are facing toward the inside of the vehicle.

**NOTE:** If installing the MX-6 or MX-6R shocks the rear shock valve adjuster needs to be facing toward the front of the vehicle to avoid contacting the limit strap.





43. Bolt the previously removed factory ABS wire clips back onto the rear of the coil spacer block using the previously removed OE hardware.

44. Measure  $1\frac{3}{4}$ " from the center of the sway bar mounting studs toward the front of the vehicle. Mark the frame for drilling. See ILLUSTRATION 8.

45. Center punch the previously applied marks and drill the frame using  $\frac{7}{16}$ " drill bit. See ILLUSTRATION 8.

46. Raise the sway bar to the newly drilled holes in the frame. Secure the sway bar to the frame using the provided (4)  $\frac{7}{16}$ " X  $1\frac{3}{4}$ " bolts and (4) (90-3944) nut plates. See ILLUSTRATION 8.

47. Assemble the sway bar end links (90-2756) using the bushings and sleeves from hardware packs (90-6582 and 90-6428).

**NOTE: Each end link gets (1) 54314 sleeve & (1) bushing  $\frac{5}{8}$ " (600000) on the bottom and (1) 113600020 sleeve & (1) bushing  $\frac{3}{4}$ " (600020) on top.**

48. Install the assembled sway bar end links (90-2756) to the lower mounting bracket (90-3936 **drvr** and 90-3940 **pass**) using the supplied  $\frac{1}{2}$ " X  $4\frac{1}{2}$ " bolt and hardware. See ILLUSTRATION 9.

**NOTE: The sway bar end links install with the bend toward the rear of the vehicle.**

49. Secure the end links to the sway bar using the OE upper sway bar mounting bolts with the heads toward to the inside of the truck. See ILLUSTRATION 9.

50. Torque all sway bar hardware according to the torque chart on page 13.

51. Reinstall the front wheel and torque to manufacturers specifications.

52. At full droop (with wheel installed) adjust the limit strap (5243-1) so that the front shock, at full extension, hangs about 1" below the lower shock mount.

**IMPORTANT! Be sure to adjust limit straps so the coil springs are not loose in the upper and lower coil buckets when at full drop.**

**NOTE: Do to variations in the vehicles from the factory the limit straps may take different amounts of adjustment on the driver side and passenger side.**

53. Push the front shock up into the lower front shock mount and secure with the supplied  $\frac{1}{2}$ " X  $2\frac{3}{4}$ " bolt and hardware. See ILLUSTRATION 7.

54. Repeat on the other side of the vehicle.

55. Lower the vehicle to the ground and on both sides of the vehicle, check the routing of the brake lines and the ABS wire harnesses. There must be no pinching, rubbing, or stretching of either component. At full droop, cycle the steering from lock to lock while observing the reaction of these components. Reposition them if needed.

56. Re-check the wheel lug torque on all four wheels at this time.

**NOTES:**

- ⇒ **After 100 miles recheck for proper torque on all newly installed hardware.**
- ⇒ **Recheck all hardware for tightness after off road use.**

Use this only as a guide for hardware without a called out torque specification in the instruction manual.

<b>Bolt Torque and ID</b>						
<b>Decimal System</b>			<b>Metric System</b>			
All Torques in Ft. Lbs. Maximums						
Bolt Size	Grade 5	Grade 8	Bolt Size	Class 9.8	Class 10.9	Class 12.9
5/16	15	20	M6	5	9	12
3/8	30	45	M8	18	23	27
7/16	45	60	M10	32	45	50
1/2	65	90	M12	55	75	90
9/16	95	130	M14	85	120	145
5/8	135	175	M16	130	165	210
3/4	185	280	M18	170	240	290

1/2-13x1.75 HHCS      **Grade 5    Grade 8**  
(No. of Marks + 2)

D   T   L   X

G = Grade (Bolt Strength)  
D = Nominal Diameter (Inches)  
T = Thread Count (Threads per Inch)  
L = Length (Inches)  
X = Description (Hex Head Cap Screw)

M12-1.25x50 HHCS

D   T   L   X

P = Property Class (Bolt Strength)  
D = Nominal Diameter (Millimeters)  
T = Thread Pitch (Thread Width, mm)  
L = Length (Millimeters)  
X = Description (Hex Head Cap Screw)

### **Notice to Owner operator, Dealer and Installer:**

Vehicles that have been enhanced for off-road performance often have unique handling characteristics due to the higher center of gravity and larger tires. This vehicle may handle, react and stop differently than many passenger cars or unmodified vehicles, both on and off-road. You must drive your vehicle safely! Extreme care should always be taken to prevent vehicle rollover or loss of control, which can result in serious injury or even death. Always avoid sudden sharp turns or abrupt maneuvers and allow more time and distance for braking! Pro Comp reminds you to fasten your seat belts at all times and reduce speed! We will gladly answer any questions concerning the design, function, maintenance and correct use of our products.

### **Please make sure your Dealer/Installer explains and delivers all warning notices, warranty forms and instruction sheets included with Pro Comp product.**

Application listings in this catalog have been carefully fit checked for each model and year denoted. However, Pro Comp reserves the right to update as necessary, without notice, and will not be held responsible for misprints, changes or variations made by vehicle manufacturers. Please call when in question regarding new model year, vehicles not listed by specific body or chassis styles or vehicles not originally distributed in the USA.

**Please note that certain mechanical aspects of any suspension lift product may accelerate ordinary wear of original equipment components.** Further, installation of certain Pro Comp products may void the vehicle's factory warranty as it pertains to certain covered parts; it is the consumer's responsibility to check with their local dealer for warranty coverage before installation of the lift.

### **Warranty and Return policy:**

Pro Comp warrants its full line of products to be free from defects in workmanship and materials. Pro Comp's obligation under this warranty is limited to repair or replacement, at Pro Comp's option, of the defective product. Any and all costs of removal, installation, freight or incidental or consequential damages are expressly excluded from this warranty. Pro Comp is not responsible for damages and / or warranty of other vehicle parts related or non-related to the installation of Pro Comp product. A consumer who makes the decision to modify his vehicle with aftermarket components of any kind will assume all risk and responsibility for potential damages incurred as a result of their chosen modifications. Warranty coverage does not include consumer opinions regarding ride comfort, fitment and design. Warranty claims can be made directly with Pro Comp or at any factory authorized Pro Comp dealer.

**IMPORTANT!** To validate the warranty on this purchase please be sure to mail in the warranty card.

### **Claims not covered under warranty-**

- Parts subject to normal wear, this includes bushings, bump stops, ball joints, tie rod ends and heim joints
  - Discontinued products at Pro Comp's discretion
- Bent or dented product
- Finish after 90 days
- Leaf or coil springs used without proper bump stops
- Light bulbs
- Products with evident damage caused by abrasion or contact with other items
- Damage caused as a result of not following recommendations or requirements called out in the installation manuals
- Products used in applications other than listed in Pro Comp's catalog
- Components or accessories used in conjunction with other manufacturer's systems
- Tire & Wheel Warranty as per Pro Competition Tire Company policy
- Warranty claims without "Proof of Purchase"
- Pro Comp Pro Runner coil over shocks are considered a serviceable shock with a one-year warranty against leakage only. Rebuild service and replacement parts will be available and sold separately by Pro Comp. Contact Pro Comp for specific service charges.
- Pro Comp accepts no responsibility for any altered product, improper installation, lack of or improper maintenance, or improper use of our products.

**E-Mail: [tech@explorerprocomp.com](mailto:tech@explorerprocomp.com)**  
**Website: [www.explorerprocomp.com](http://www.explorerprocomp.com)**  
**Fax: (619) 216-1474**  
**Ph: (619) 216-1444**

<b>PLACE</b>
<b><u>WARRANTY REGISTRATION</u></b>
<b><u>NUMBER</u></b>
<b>HERE: _____</b>