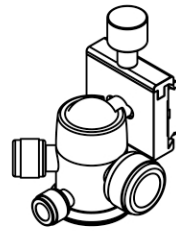


THE GRIP

SKU: MA-GRIP-XXXX

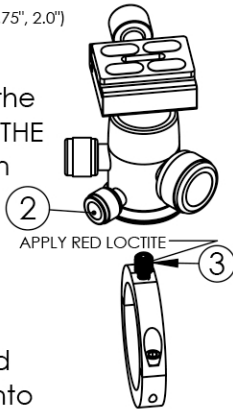


STEP 1: First, decide which mounting method best suits your needs. Keep visibility, accessibility, and driver controls in mind.

CAGE GRIP

For mounting to tube (1.5", 1.75", 2.0")

STEP 2: Tighten the knob to ensure THE GRIP is locked in position.



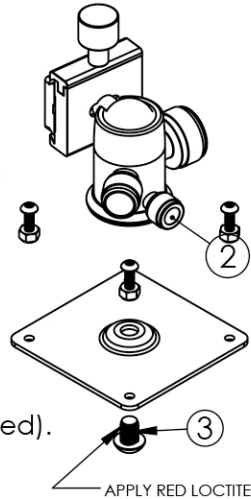
STEP 3: Apply red thread locker onto threads (not included).

STEP 4: Thread the assembled tube clamp assembly into the bottom of THE GRIP.

DASH GRIP

For mounting to flat surface

STEP 2: Tighten the knob to ensure THE GRIP is locked in position.



STEP 3: Apply red thread locker onto threads (not included).

STEP 4: Use the supplied screw to attach the mounting plate to THE GRIP.

STEP 5: Follow the corresponding instructions for final mounting procedure.

WARNING: Improper installation may cause mount failure under shock and vibration. Use best judgement when deciding on mount location considering security if fasteners should release. The Grip offers good vibration resistance, however, it is not fool proof.

WARRANTY

For assistance, please contact us directly at:

CONTACT

MOB ARMOR

www.mobarmor.com

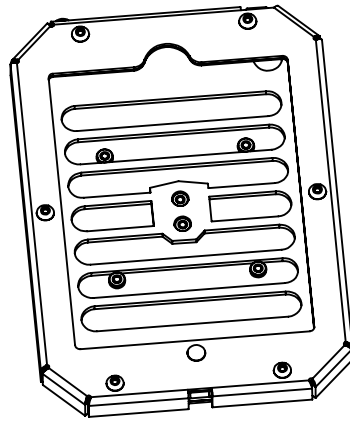
2360 Thompson Way Suite D & E, Santa Maria, CA 93455

Customer Service: (805) 214-1815

Race Mini

for iPad Mini 1-4

SKU: RACE-MINI-BK



Step 1:
Remove the face plate screws using the supplied 1/8" allen wrench. Set the face plate and screws aside.

Step 2:
Place the bottom of iPad into the Race Series case first, then press tablet into case as shown. Be sure tablet is securely seated in foam before moving on.

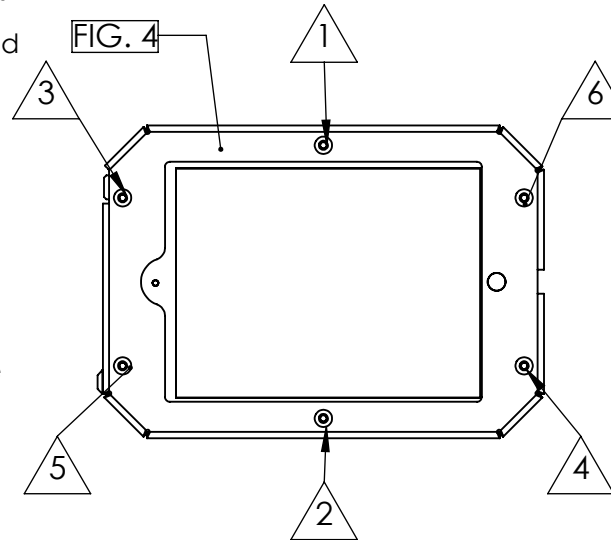
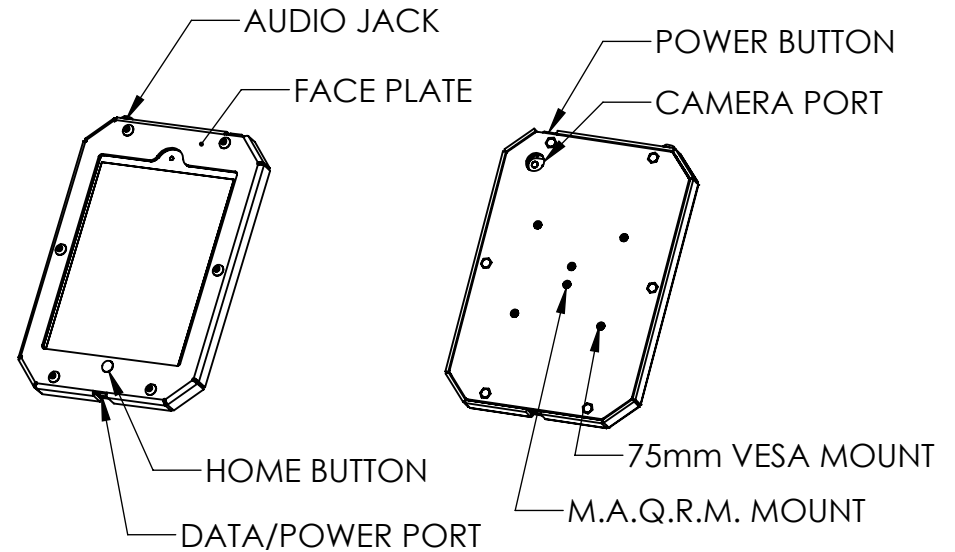
If using the iPad Mini 4, pull the tab to separate the perforated section from the main body of foam.

Step 3:
Align top half and back half of Race Series Case and lightly press together. Visually align the halves to make sure tablet is seated in bottom half and all bolt holes line up correctly. Hand thread screws into place before tightening.

WARRANTY

For assistance, please contact us directly at:

PN-6220



Step 4:
Once front and back are aligned, tighten screws using 1/8" wrench in a star pattern. Follow the pattern as shown in (Figure 4) for best results moving 1-6 and tighten to 5in-lbs. Do not over tighten screws.

Function check both buttons and tablet features before installing in vehicle.

Note: If Power Button does not function smoothly, slowly back out screw #3 until the button has nice "click" feel and function.

Step 5: Enjoy your securely mounted tablet!

NOTE A: Camera may not be concentric in clearance hole. This is due to Apple design changes between iPad Mini 1-4. Camera view will not be affected.

Warning: Improper installation may cause mount failure under shock and vibration. Use best judgement when deciding on mount location considering security if fasteners should release. Heavy water splash and submersion may void terms of use.

CONTACT

MOB ARMOR

www.mobarmor.com

2360 Thompson Way Suite D & E, Santa Maria, CA 93455

Customer Service: (805) 214-1815

REVISED: 06/20/2016