

## **Liability Release**

The purchaser of this product agrees that the manufacturer of this product has no responsibility or liability for errors in installation and/or resulting injury and/or accidents resulting from or associated with use and/or installation of this product.

Purchaser agrees to release manufacturer from any and all liability for personal injuries including death and property losses or damage occasioned by, or in connection with any activity or accommodations for use and/or installation of this product, either professionally installed or self installed.

Purchaser furthermore agrees to hold harmless and indemnify said manufacturer organization(s) its directors, employees and agents, for any liability sustained by use and/or modifications of product or vehicle, including claims for damages, losses, injuries, and expenses arising out of or resulting from use of product.



1907 Woodland Ave.  
Coffeyville, KS 67337  
Phone: (620) 251-9100  
Fax: (620) 251-2622

INSTALLATION INSTRUCTIONS  
BIGBOY BRACKETS  
2007-2010 Two Door Models  
2007-2014 Four Door Models  
DRIVER'S SIDE  
JBBJK250D-R

**WARNING**  
**FOR YOUR SAFETY**  
**YOU MUST FOLLOW**  
**THESE**  
**INSTRUCTIONS**

1. To avoid serious or fatal injury on vehicles equipped with airbags, disable the Supplemental Restrain System (SRS) before attempting any steering wheel, steering column, airbag, seat belt tensioner, impact sensor or instrument panel component diagnosis or service. Remove the key from the ignition. Disconnect and isolate the battery negative (ground) cable, then wait 30 minutes for the system capacitor to discharge before performing further diagnosis or service. This is the only sure way to disable the SRS. Failure to take the proper precautions could result in accidental airbag deployment.
2. Disconnect the snap wire connectors between the floor and the seat.
3. Remove and save the (4) bolts holding the seat frame to the floor. These will be reused when installing the new brackets. Remove the seat from the vehicle.

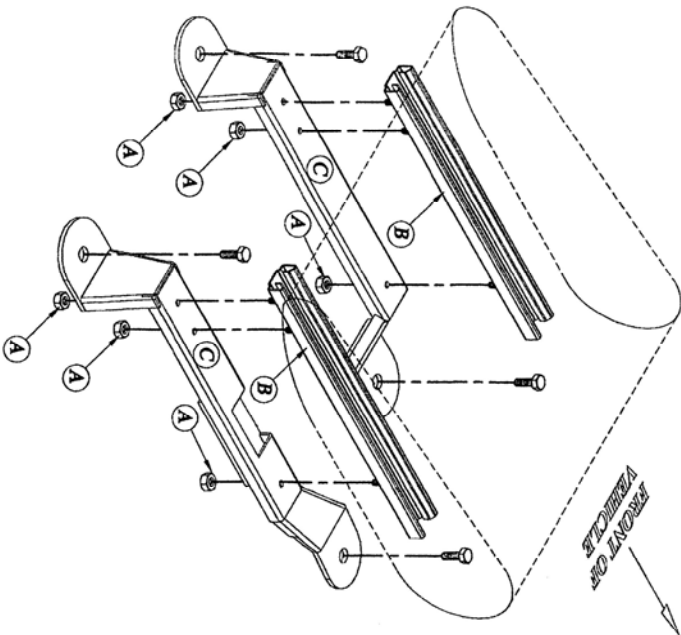


FIG. 1 DRIVERS SIDE INSTALLATION

4. Remove the (3) 13mm flange nuts (A) from each side of the seat that hold the slider frames (B) to the original floor brackets.
5. Install the BigBoy brackets (C) to the slider frames (B) reusing the 13 mm flange nuts (A) as shown in the installation drawing.
6. Reinstall the seat in the vehicle and reconnect the snap wire connector between the floor and the seat.

Now that the installation is complete, you should have approximately 2" more leg room for the driver's seat.

**Liability Release**

The purchaser of this product agrees that the manufacturer of this product has no responsibility or liability for errors in installation and/or resulting injury and/or accidents resulting from or associated with use and/or installation of this product.

Purchaser agrees to release manufacturer from any and all liability for personal injuries including death and property losses or damage occasioned by, or in connection with any activity or accommodations for use and/or installation of this product, either professionally installed or self installed.

Purchaser furthermore agrees to hold harmless and indemnify said manufacturer organization(s) its directors, employees and agents, for any liability sustained by use and/or modifications of product or vehicle, including claims for damages, losses, injuries, and expenses arising out of or resulting from use of product.

Phone: (620) 251-9100

www.misch4x4.com

Fax: (620) 251-2622



1907 Woodland Ave.  
Coffeyville, KS 67337  
Phone: (620) 251-9100  
Fax: (620) 251-2622

## WARNING

To avoid serious or fatal injury on vehicles equipped with airbags, disable the Supplemental Restrain System (SRS) before attempting any steering wheel, steering column, airbag, seat belt tensioner, impact sensor or instrument panel component diagnosis or service.

Remove the key from the ignition. Disconnect and isolate the battery negative (ground) cable, then wait 30 minutes for the system capacitor to discharge before performing further diagnosis or service. This is the only sure way to disable the SRS. Failure to take the proper precautions could result in accidental airbag deployment.

1. Remove and save the (4) bolts holding seat frame to the floor. These will be reused when installing the new brackets.
2. Disconnect the snap wire connector between the floor and the seat. Remove the seat from the vehicle.
3. Place (2)  $\frac{1}{2}$ " x  $1\frac{1}{4}$ " carriage bolts (F) through the elongated slots in the left driver's bracket (A) as shown. Attach the left driver's side bracket (A) to the floor using (2) bolts (C) removed holding the seat frame to the floor in step 1. Tighten the bolts holding the bracket to the floor at this time.
4. Place (2)  $\frac{1}{2}$ " x  $1\frac{1}{4}$ " carriage bolts (F) through the elongated slots in the right driver's bracket (B) as shown. Attach the right driver's side bracket (B) to the floor using (2) bolts (C) removed in step 1. Tighten the bolts holding the bracket to the floor at this time.

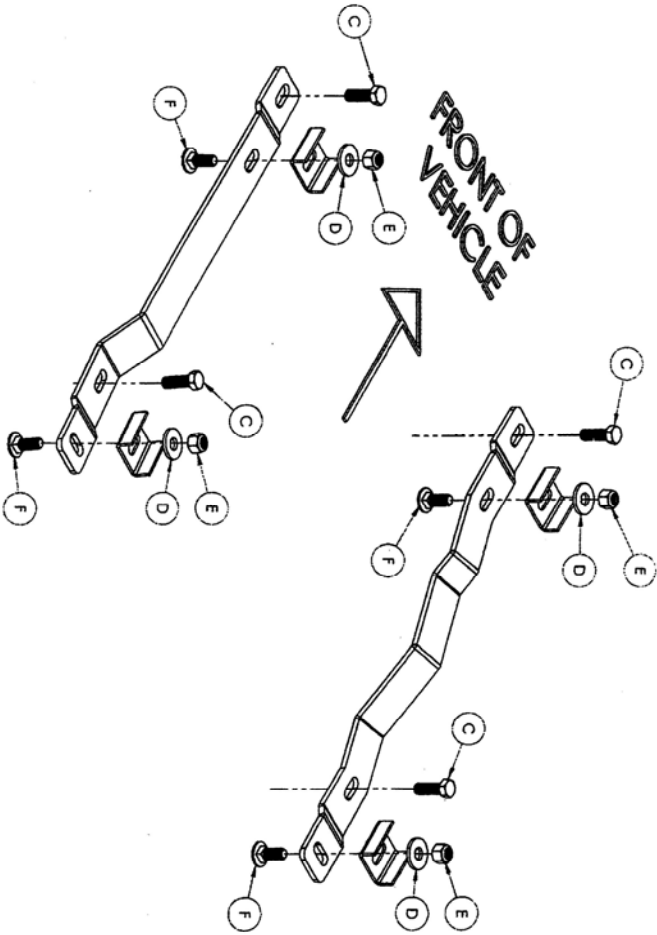


FIG. 1 DRIVER'S SIDE INSTALLATION

THIS PRODUCT IS NOT TO BE USED WITH ANY OTHER PRODUCT THAT ALTERS THE POSITION OR ATTACHMENT OF THE SEATS.

## INSTALLATION INSTRUCTIONS

### BIGBOY BRACKETS

### 2011-2014 TWO DOOR MODELS

### DRIVER'S SIDE

### JBBJK350D

5. Reconnect the wire connector between the floor and the seat. Place the seat on the new brackets allowing the protruding carriage bolts to go through the seat frame. Once the seat frame is located with all (4) carriage bolts protruding through the seat frame place (1) provided flat washer (D) and (1) reversible lock nut (E) on each of the protruding carriage bolts. At this time tighten all reversible lock nuts.

Now that the installation is complete you should have approximately 4" more legroom for the driver's seat.

#### Liability Release

The purchaser of this product agrees that the manufacturer of this product has no responsibility or liability for errors in installation and/or resulting injury and/or accidents resulting from or associated with use and/or installation of this product.

Purchaser agrees to release manufacturer from any and all liability for personal injuries including death and property losses or damage occasioned by, or in connection with any activity or accommodations for use and/or installation of this product, either professionally installed or self installed.

Purchaser furthermore agrees to hold harmless and indemnify said manufacturer organization(s) its directors, employees and agents, for any liability sustained by use and/or modifications of product or vehicle, including claims for damages, losses, injuries, and expenses arising out of or resulting from use of product.

Phone: (620) 251-9100

www.misch4x4.com

Fax: (620) 251-2622



1907 Woodland Ave.  
 Coffeyville, KS 67337  
 Phone: (620) 251-9100  
 Fax: (620) 251-2622

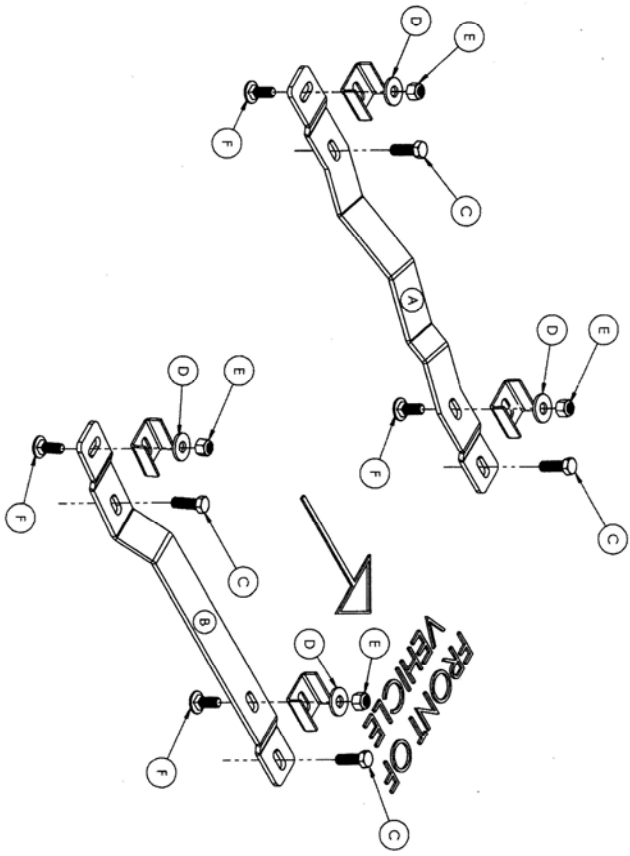
Installation Instructions  
**BIGBOY BRACKETS**  
**2011-2014 TWO DOOR MODELS**  
**PASSENGER'S SIDE**  
 JBBJK350P

**WARNING**

To avoid serious or fatal injury on vehicles equipped with airbags, disable the Supplemental Restraint System (SRS) before attempting any steering wheel, steering column, airbag, seat belt tensioner, impact sensor or instrument panel component diagnosis or service.

**Remove the key from the ignition. Disconnect and isolate the battery negative (ground) cable, then wait 30 minutes for the system capacitor to discharge before performing further diagnosis or service.** This is the only sure way to disable the SRS. Failure to take the proper precautions could result in accidental airbag deployment.

1. Remove and save the four bolts holding the seat frame to the floor. These will be reused when installing the new brackets.
2. Disconnect the snap wire connector between the floor and the seat. Remove the seat from the vehicle.
3. Place two 1/2" x 1 1/4" carriage bolts (F) through the elongated slots in the left passenger's bracket (A) as shown. Attach the left passenger's side bracket (A) to the floor using two bolts (C) removed from holding the seat frame to the floor in step 1. Tighten the bolts holding the bracket to the floor at this time.
4. Place two 1/2" x 1 1/4" carriage bolts (F) through the elongated slots in the right passenger's bracket (B) as shown. Attach the right passenger's side bracket (B) to the floor using two bolts (C) removed in step 1. Tighten the bolts holding the bracket to the floor at this time.



5. Reconnect the wire connector between the floor and the seat. Place the seat on the new brackets allowing the protruding carriage bolts to go through the seat frame. Once the seat frame is located with all four carriage bolts protruding through the seat frame, place one provided flat washer (D) and one reversible lock nut (E) on each of the protruding carriage bolts. At this time tighten all reversible lock nuts.

Now that the installation is complete, you should have approximately 4" more legroom for the passenger's seat.

**Liability Release**

The purchaser of this product agrees that the manufacturer of this product has no responsibility or liability for errors in installation and/or resulting injury and/or accidents resulting from or associated with use and/or installation of this product.

Purchaser agrees to release manufacturer from any and all liability for personal injuries including death and property losses or damage occasioned by, or in connection with any activity or accommodations for use and/or installation of this product, either professionally installed or self installed. Purchaser furthermore agrees to hold harmless and indemnify said manufacturer organization(s) its directors, employees and agents, for any liability sustained by use and/or modifications of product or vehicle, including claims for damages, losses, injuries, and expenses arising out of or resulting from use of product.

**THIS PRODUCT IS NOT TO BE USED WITH ANY OTHER PRODUCT THAT ALTERS THE POSITION OR ATTACHMENT OF THE SEATS.**

Phone: (620) 251-9100

www.misch4x4.com

Fax: (620) 251-2622