

HOIST A CART™ GEN. 2

Assembly Instructions

The Ultimate Top Removal and Storage System



READ ALL INSTRUCTIONS BEFORE ASSEMBLY AND USE OF HOIST A CARTTM

This installation guide is for the use of our Hoist A CartTM system. Please read all warnings, directions, and watch related videos before attempting to install. Begin by un-boxing your parts, and checking them against the parts list. If you are missing a part:

DO NOT RETURN THIS PRODUCT TO DEALER OR CALL DEALER. Email, call, or leave us a message with your name, telephone number and address and we will get you the part you need. Toll free 1-866-284-7428, or 801-262-7322. We are best reached by emailing contact1@langeoriginals.com

! Warning: Failure to follow these warnings and the assembly instructions could result in serious injury or death. Wear appropriate safety gear when using tools.

About these instructions:

These instructions are setup into smaller steps that follow a step by step process to build the frame-assembly of your new Hoist -A-CartTM system. Begin each step by gathering the hardware specified in the locate section in the header of the step. Secondly assemble the hardware and parts as show in the picture guide.

Please note that some items in the parts list will not be used in the written portion of the instructions. Bolts are measured from the base of the head, to the end of the threads.

Tools Required

- Tape Measure
- Two 9/16" Wrenches; box ends or socket
- 1/2" Wrench
- Allen Key 1/8" and 3/16"

Top Tips

We use all the products we make because we are Jeep enthusiasts. The author (me) of these instructions did the best to show you how to make this wonderful product come to life and make your life easier. If you think we did that, leave us some good star ratings where you bought it from! If not, call, email, or message us on one of our social media pages and we will bend over backwards to make it work. Happy trails and say hi to us if you ever see a Hoist A Cart or Hoist A Top logo plastered all over our Jeeps!

**CONTACT US:**

Toll free 1-866-284-7428

www.langeoriginals.com

contact1@langeoriginals.com

<https://www.facebook.com/LangeOriginals/>

3651 South 700 E

Salt Lake City Ut 84106

HOIST A CART GEN 2 SHIPS IN TWO DIFFERENT BOXES

PART NUMBER	Hardware List	QTY	PART NUMBER	Parts List (BOX 1)	QTY
HAC-075	3/8" X 3 1/2" Hex Bolt	4	HAC-066	Main Lifting Strap (In box with Crank Unit)	1
HAC-015	3/8" Nyloc Nut	37	HAC-065	Steering Handle	1
HAC-071	Bushing Roller (Small) OD: 0.50"	3	HAC-063	Rolling Base Left Assembly (Assembled with hardware)	1
HAC-072	Bushing Roller (Large) OD: 0.70"	3	HAC-064	Rolling Base Right Assembly (Assembled with hardware)	1
HAC-073	Hex Bolts for Casters 3/8" X 3/4"	16	HAC-069	Swivel Caster with Brake	2
HAC-074	Hex Bolts to mount Winch 3/8" X 1/2"	3	HAC-068	Swivel Caster without Brake	2
HAC-076	3/8" X 1 3/4" Hex Bolt	4	HAC-054	Self-Braking Crank Unit (Crank, Handle, Strap, and Snap Links in box)	1
HAC-078	3/8" X 2 1/2" Hex Bolt	7	HAC-055	Upright Base Plate	1
HAC-079	3/8" X 3" Hex Bolt	6	HAC-060	Right End Bar	1
HAC-080	5/16" Quick Release Pin (Round Shape)	1	HAC-061	Left End Bar	1
HAC-081	3/8" Quick Release Pin (Square Shape)	2	HAC-056	Support Bar	1
BAG-047	5/16" Elevator Bolt, Washer, Nut and Wing Nut (Bag has two pieces of each item)	1	HAC-051	Top Connecting Plate	2
HAC-070	Velcro Straps (Bag of two for use with the Door Hangers)	1	HAT-130	Rear Hook for JL	1
HDW-016	1/4" Quick Link	1	HAT-123	Rear Hook for JK	1
			HAT-018	4" Foam Round	4

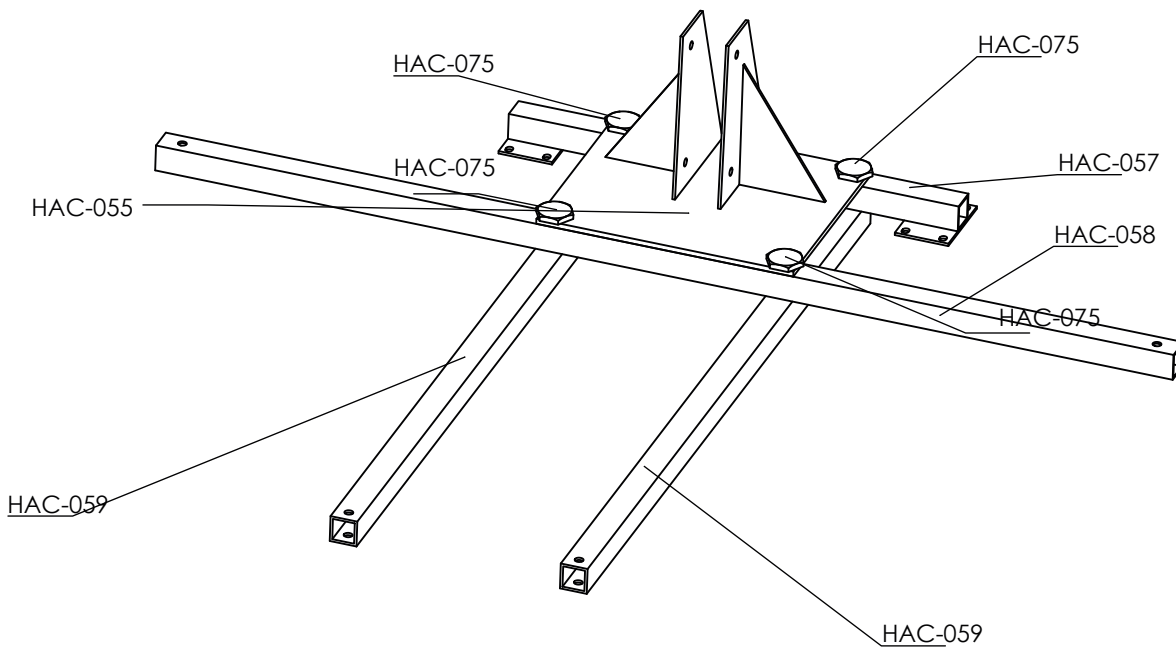
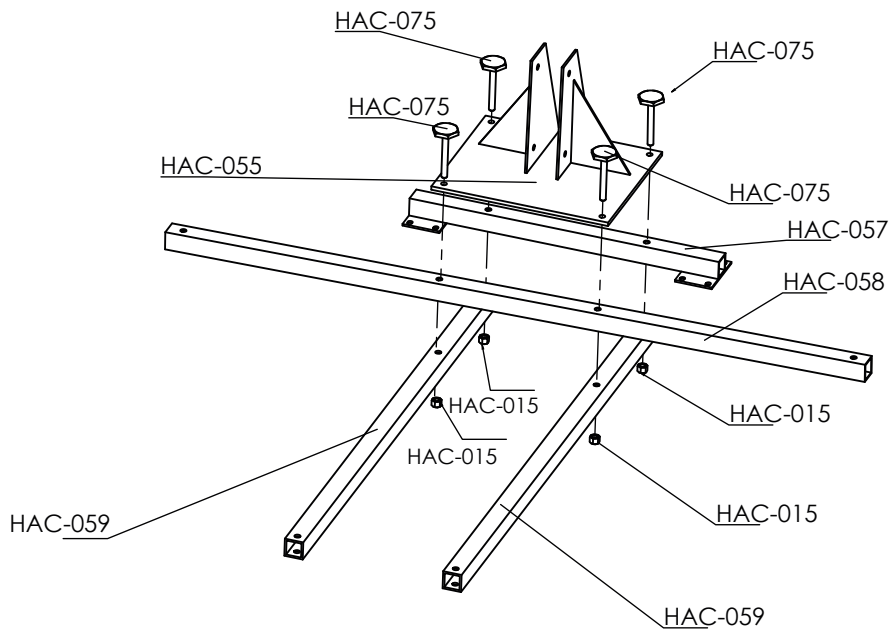


STEP 1

Locate parts: HAC-057, HAC-059 qty:2, HAC-058, HAC-055

Locate hardware: HAC-075 (3/8" X 3.5" bolt qty:4), HAC-015 (3/8 Nyloc Nut qty:4)

Special Instructions: Only tighten the nuts finger tight, and tighten everything down at once when you put the casters on in a later step (4). The bolt heads on this diagram are exaggerated to make them easier to see.

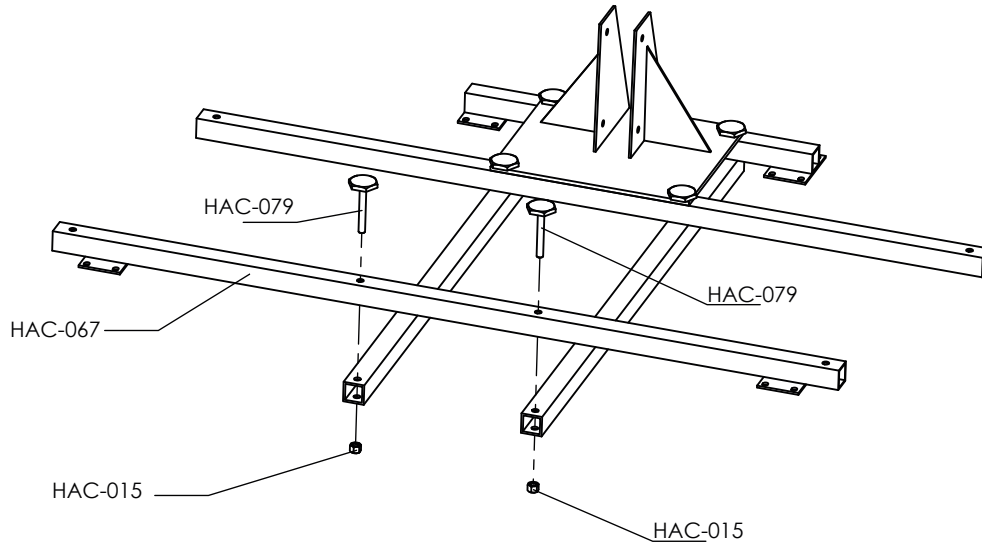


STEP 2

Locate parts: HAC-067

Locate hardware: HAC-079 (3/8" X 3" bolt qty: 2), HAC-015 (3/8" nyloc nut qty: 2)

Special Instructions: Only tighten the nuts finger tight, and tighten everything down at once when you put the casters on in a later step (4). The bolt heads on this diagram size are exaggerated to make them easier to see.

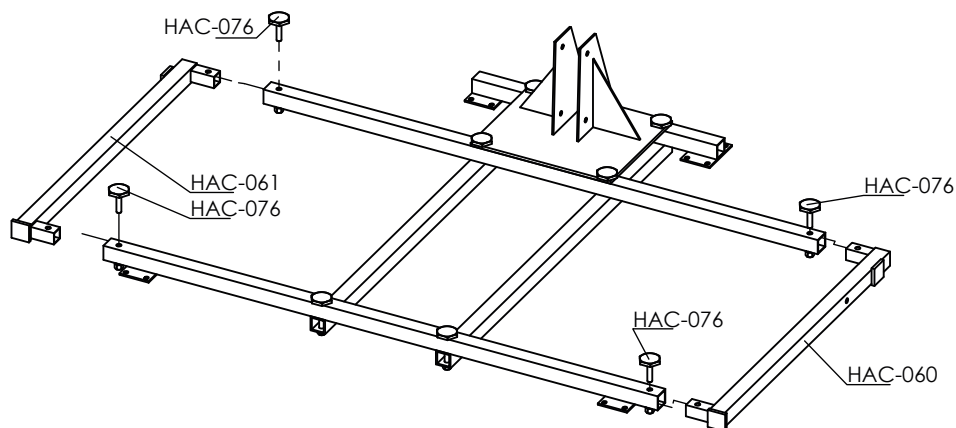


STEP 3

Locate parts: HAC-060, HAC-061

Locate hardware: HAC-076 (3/8" X 1.75" bolt qty: 4), HAC-015 (3/8" nyloc nut qty: 4)

Special Instructions: Tighten all bolts from this, and previous steps to a snug fit. Do not overtighten, it will bend the metal, and void your warranty. HAC-060 and HAC-061 are directional, unique parts. Pay attention to the welded tabs and hole placement on the diagram below to match the welded tabs and hole placement to the correct side when installing.

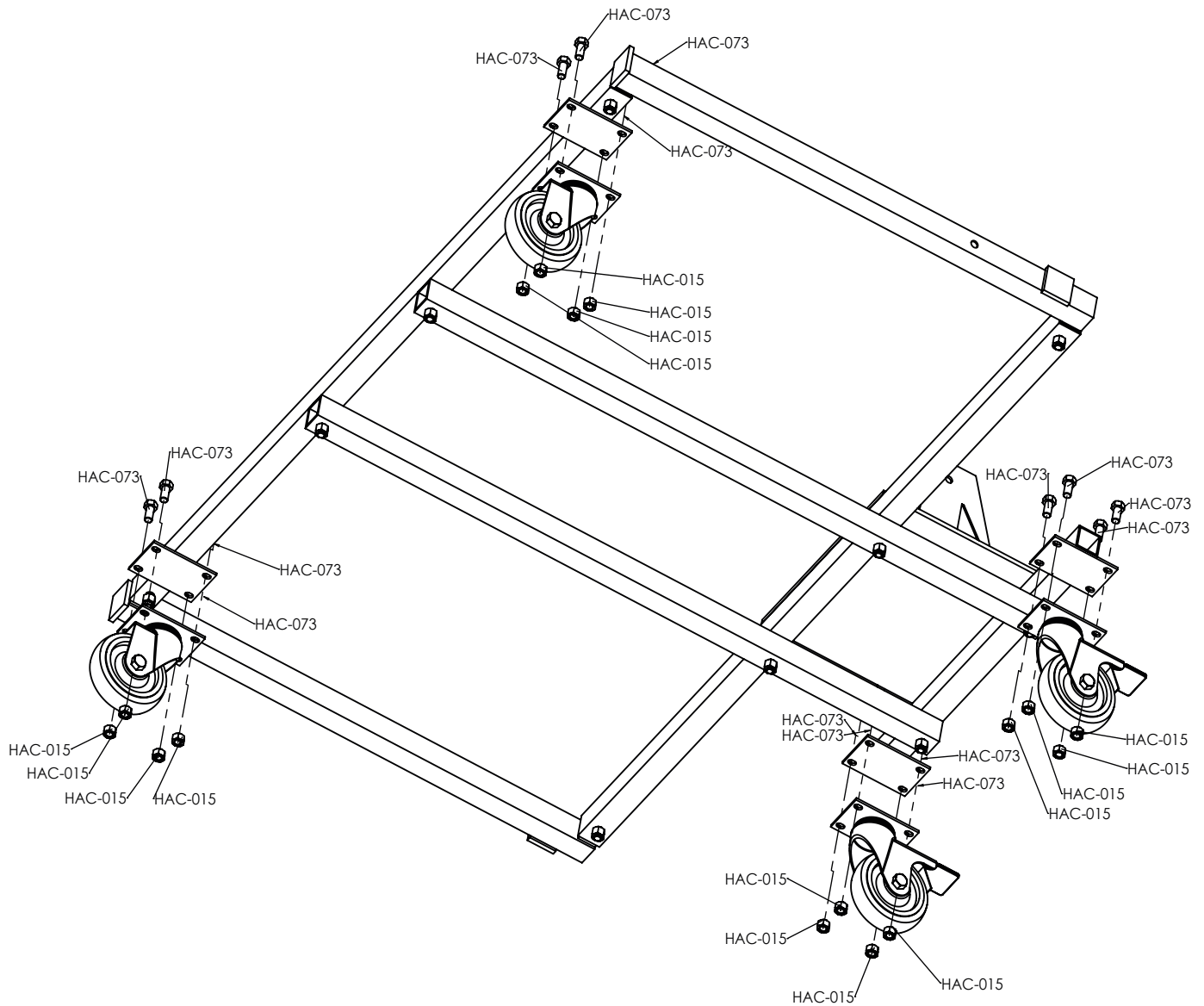


STEP 4

Locate parts: HAC-068 (Front swivel casters without brakes), HAC-069 (Rear swivel casters with brake)

Locate hardware: HAC-073 3/8" X 3/4" bolt QTY: 16, HAC-015 3/8" nyloc nut QTY: 16

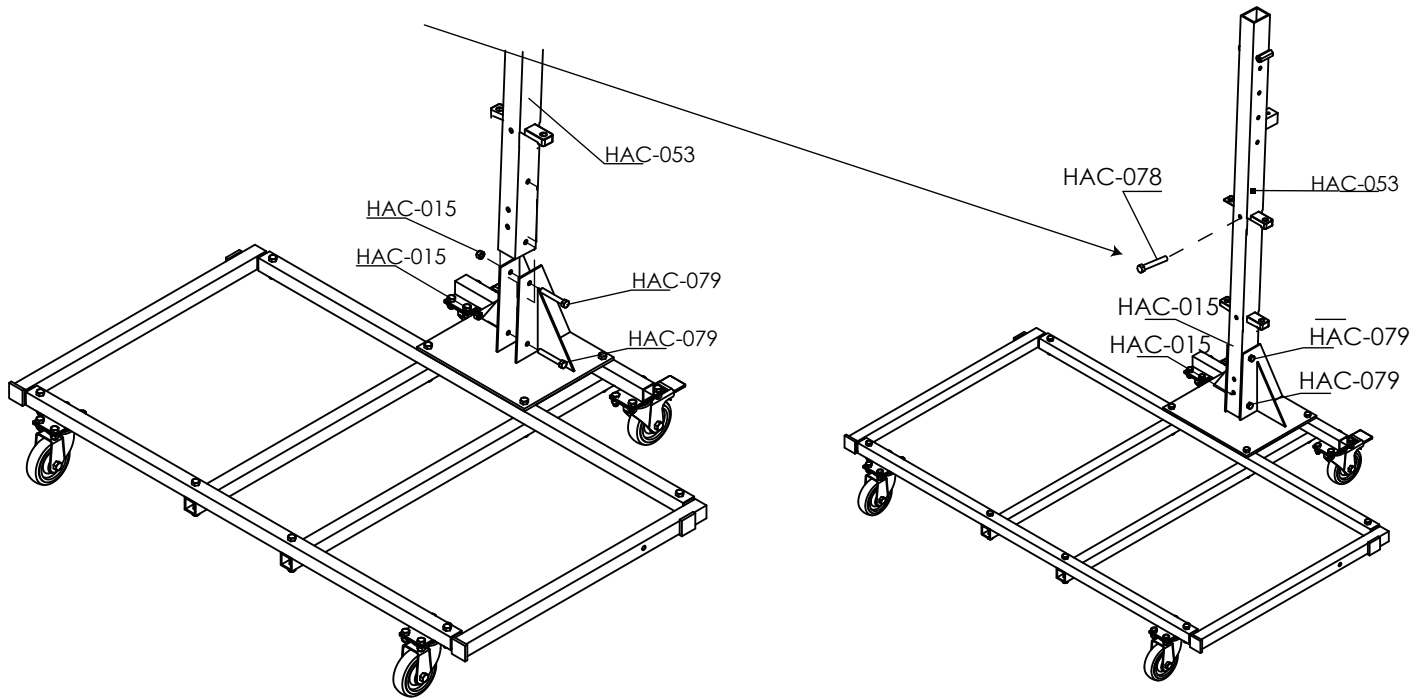
Special Instructions: Install the casters



STEP 5

Locate parts: HAC-053

Locate hardware: HAC-079 3/8" X 3" bolt QTY: 2, HAC-078 3/8" X 2.5" QTY: 1, HAC-015 QTY: 3,

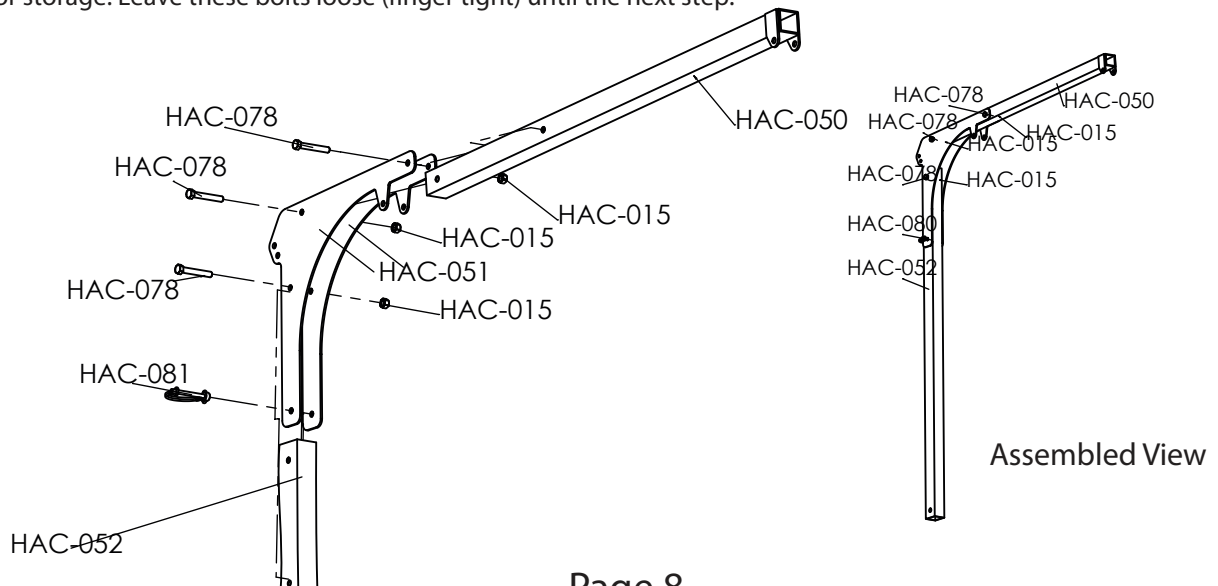


STEP 6

Locate parts: HAC-051 X 2, HAC-050, HAC-052

Locate hardware: HAC-078 3/8" X 2.5" bolt QTY: 3, HAC-015 3/8" nyloc nut QTY: 3

Special Instructions: Install using three bolts and the HAC-081 quick release pin. The snap pin removes to fold the arm down for storage. Leave these bolts loose (finger tight) until the next step.

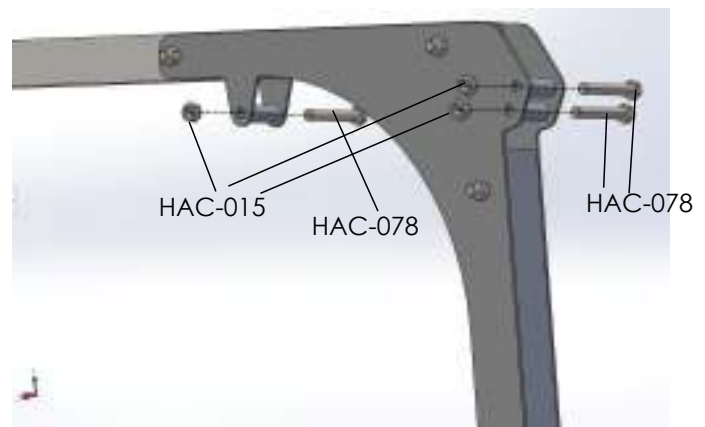
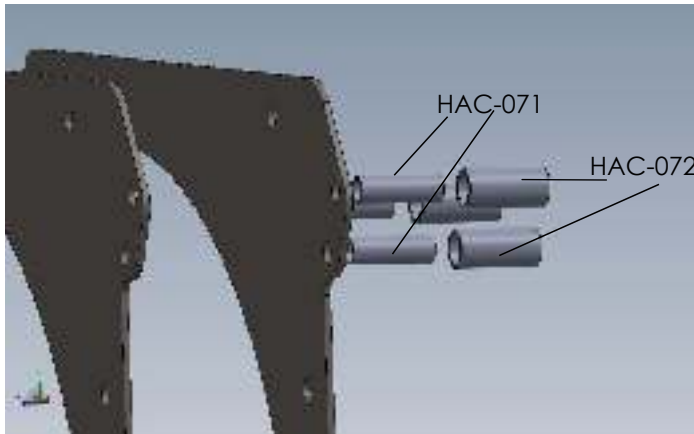


STEP 7

Locate parts: Using assembly from step 6

Locate hardware: HAC-071 roller bushing QTY: 3, HAC-072 roller pin QTY: 3 HAC-078 3/8" X 2.5" QTY: 3 HAC-015 3/8" nyloc nut QTY: 3

Special Instructions: Sleeve the smaller roller into the larger roller. Then sandwich the rollers into HAC-051 plates insert a bolt and tighten a nut on the end. Check and tighten all bolts and nuts however do not over tighten these, they need to roll free on the strap assembly.

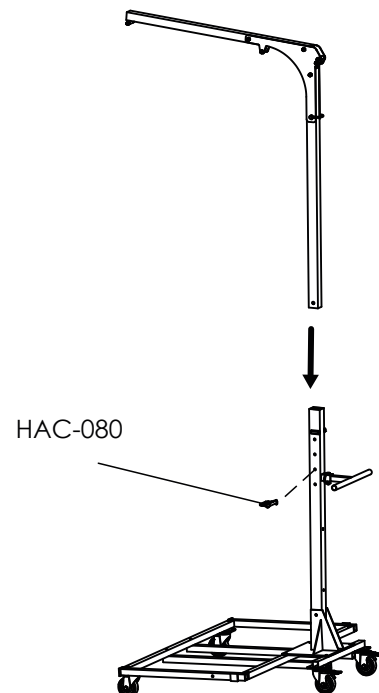
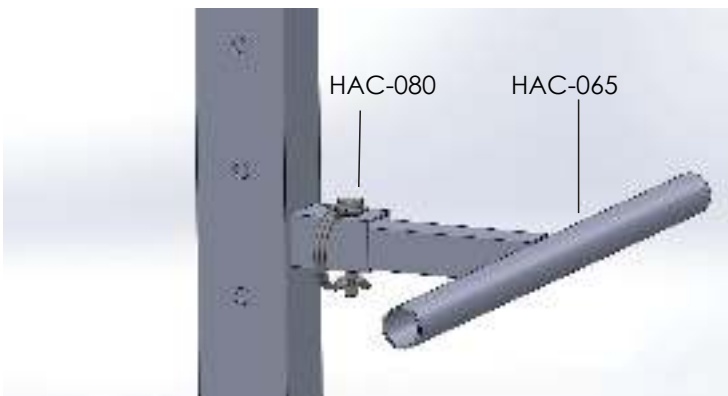


STEP 8

Locate parts: Using assembly from all previous steps and HAC-065

Locate hardware: HAC-080 QTY: 1

Special Instructions: Install the push handle in the back of the upright bar as pictured below and use snap clevis pin to secure in place. Slide the fulcrum arm into the base. Use HAC-081 the snap pin to set the desired height. The height will depend on the lift and and tire size of your Jeep.



STEP 9

Locate parts: HAC-063, HAC-064, HAC-062, HAT-018 QTY: 2,

Locate hardware: Set screws should come pre-installed. If one or more is not there check packaging or call Lange Originals

Special Instructions: Unlock the position pin (set screw) by pulling it out and turning it 1/4 turn (Fig. 4). Slide the foam pieces about 1/4 way in on either side of the bar HAC-062 then slide HAC-064 on one side of the bar and HAC-063 on the other side of the bar. You may have to back out the larger set screw a little. Push the HAC-063 assembly all the way into the bar then back it off approximately an inch, then tighten the large set screw with the Allen key to secure in place. Put the other side (HAC-064) on the bar, but leave the set screw loose. Put the cradle on the base of the platform as show in (Fig. 2). Push the parts HAC-064 so that the bearing wheels align on top of the bars and tighten the larger set screw in place. The smaller set screws should be set so that they just barely touch the bars HAC-060 and HAC--061 (Fig. 3) and should allow the assembled cradle bar to roll/slide freely.

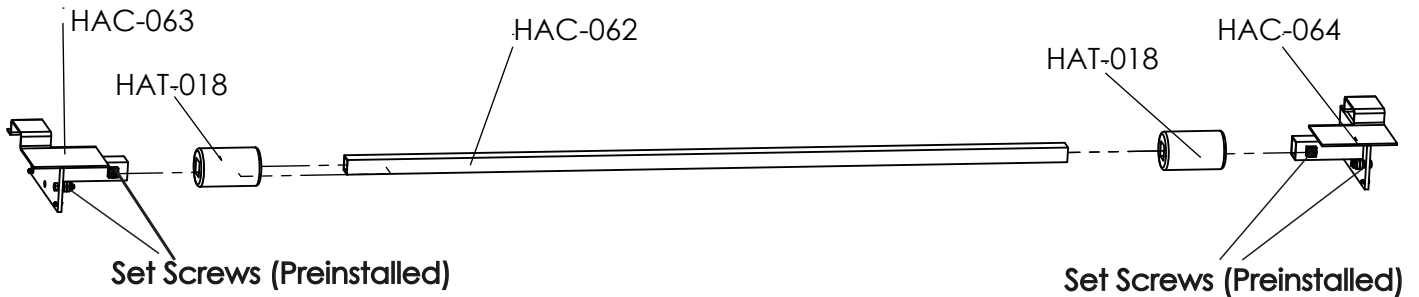


Fig 1

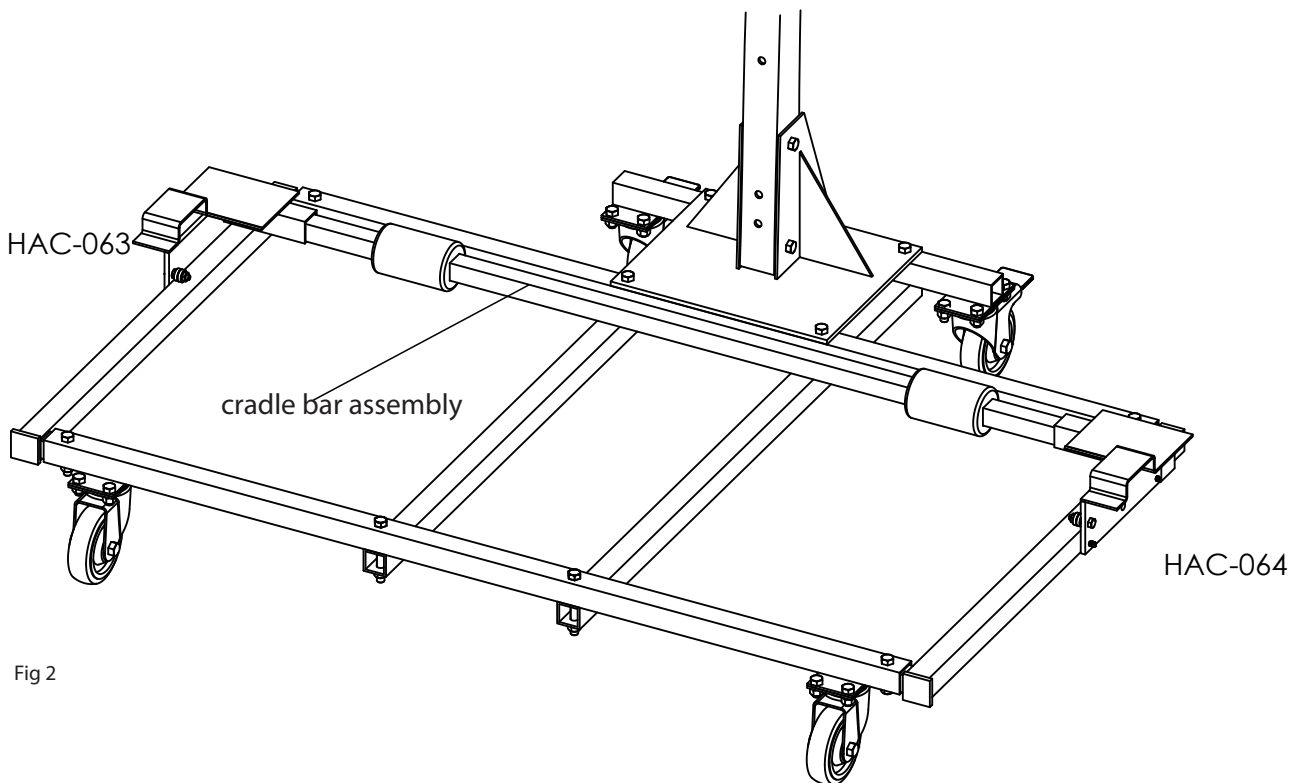


Fig 2



Fig 3



LOCKED

UNLOCKED

Fig 4

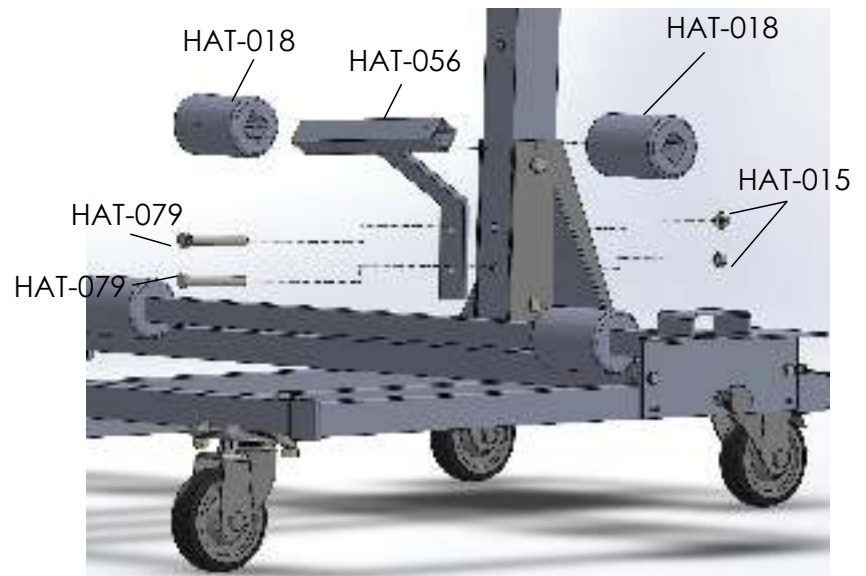
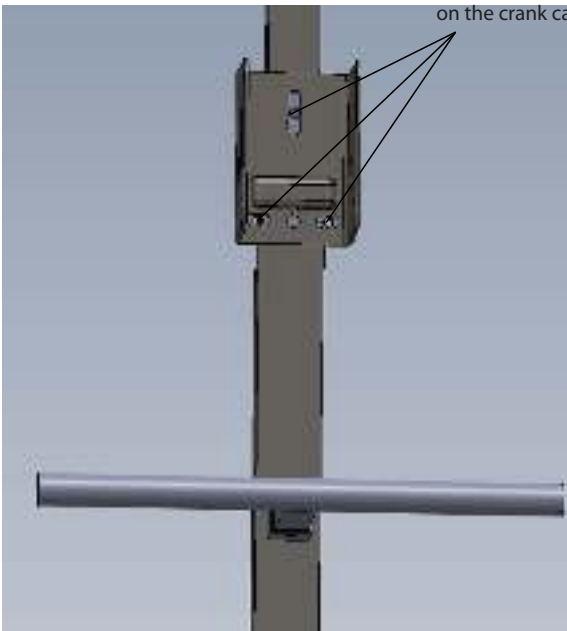
STEP 10

Locate parts: HAC-054, HAC-056, HAT-018 QTY: 2

Locate hardware: HAC-079 3/8" x 3" QTY: 2, HAC-015 QTY:2, HAC-074 3/8 x.5" QTY:3

Special Instructions: Install the crank on the upright main post by threading the three HAC-074 bolts into the threaded holes by hand and then using tools to tighten. Careful not to cross thread these. Then install HAT-056 by sleeving foam pieces on and installing bolts as show in diagram.

Install 3 HAC-074 bolts in these holes on the crank case





STEP 11

Locate parts: 30 ft strap with two snap hooks on the end crank unit strap

Special Instructions: Remove snap hooks (if installed at the end of strap) and set aside. Wind one end of the strap through the underside of the bolt located in the spool (Fig 1). This side threads through the middle of the rollers on the back (Fig 2). It threads over the the first roller on the arm and down (Fig 3). It's very important that the strap does not twist. Take the other free end and wind it over the top of the roller in the rear (Fig 4) and thread above the first roller on the arm and drop down on the furthest roller on the extended arm (Fig 5). Return the snap hooks to the ends of the straps.



Fig 1



Fig 2



Fig 3



Fig 4



Fig 5



Snap Ring



STEP 12 Strap Installation

Locate parts: Top removal strap (HAC-066) & Elevator bolts, washers, and wingnuts (BAG-047)

Special Instructions: Prepare hardtop for removal by removing all hardware, washer fluid lines, electrical, bolts, and any latches. For good resources on removing your top watch videos on you-tube, make sure to reference your specific model of Jeep as removal varies from year to year.

First begin by lifting your hardtop and blocking it up securely so it won't fall and smash your fingers (Fig. 1). Nothing sours taking your top off like a black thumb nail. Find those elevator bolts, and put them in the first hole closest to the front of the Jeep (Fig. 2). Put a washer on top, then a 5/16 inch nut. Tighten this nut down with a 1/2 inch wrench, tighten until the bottom of the elevator bolt is all the way flush (Fig. 3). Put the strap on through the grommet with the loop facing away from the top (Fig 4-5). Thread on the wingnut until grommet is secure. Put the strap over the top of your hardtop and repeat the step again on the other side. Do not twist the strap.



Fig. 1

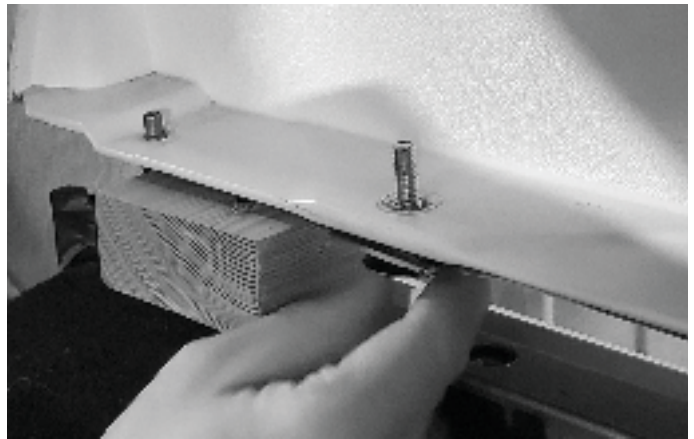


Fig. 2

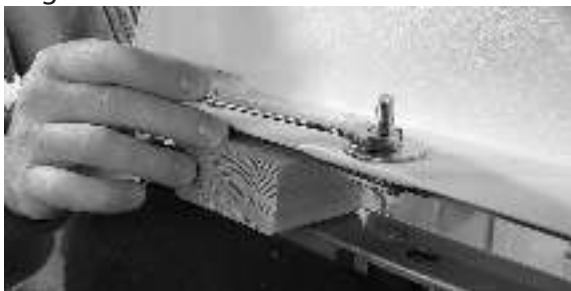


Fig. 3



Fig.4



Fig.5



LANGE
Originals.

HOIST A CART™

GEN. 2

STEP 13

Locate parts: Quick Link Corresponding Rear Hook for your Jeep type HAT-123 or HAT-130

Special Instructions: After you have securely fastened the strap to your hardtop. Make sure your parking brake is on, and take care when using a ladder or climbing on your side steps. Center your lifting ring/triangle to the center ridge on your Jeep hardtop by pulling on the corresponding strap end (Fig. 1). It can be cumbersome at this point but a well centered, and as tight as you can manage, means it's not going to lean in the future. Open the rear window and rear gate of the Jeep. Attach the quick link to the rear hook. Place the corresponding hook in the dead center of the top (Fig. 2-3) with the top of the hook through the gap in the glass, and the base securely hooked on the molding of the top (Fig. 4). JL owners note that this is a tight fit, some extra pressure to get it over the molding may be needed. Then close the glass, but do not force it. If it is not closing, make an adjustment with the rear hook.



Fig. 1



JL 2018-PRESENT Jeeps Fig.3

JK 2007-2017 Jeeps Fig.2



Fig. 4



Fig. 5



STEP 14

Locate parts: Assembled Hoist A Cart™.

Special Instructions: It's time to check once again everything is detached holding your hardtop on the Jeep. I often forget my wiper fluid tube, and wiring harness. Make sure the cradle is all the way back towards the rear of the Hoist and locked into place. If you haven't yet, familiarize yourself with the position pin spring lock (Fig. 1). With the tailgate still open slide the hoist all the way under the Jeep in between your rear tires and hook up the snap rings to the front and rear strap and hook (Fig. 2-3). If the hoist a cart isn't tall enough make adjustments by removing the center quick release pin and going up. There still should be slack in the strap, this is okay. If you couldn't resist the urge and wound up the strap unwind it now it's time to balance the strap. Engage the brakes on the back casters. While at the rear of the cart pull the loose strap close to the spool and crank so the slack is taken out of both the front and back of the lifting points (Fig. 4). Then wind up the excess cable while still keeping the slack out. The racking crank has a self braking mechanism enclosed by the handle. After the strap is tight its time to lift your top off! (Fig. 5)



LOCKED

Fig. 1

UNLOCKED



Fig. 2



Fig. 3



Fig. 4



Fig. 5



LANGE
Originals.

HOIST A CART™

GEN. 2

STEP 15 Storage

Locate parts: Assembled Hoist A Cart™

Special Instructions: Undo the brakes on the rear wheels, and move the top carefully into a clear space. Lower the top down to the base of the cart, aligning the rear section to nestle in the corner of the rubber coated base of the cradle (Fig. 1, Fig. 2). Lower it completely to the ground until there is enough play in the straps. Don't loosen the strap to much or you will have to re-level them. To gain maximum storage space, remove the clevis pin, collapse the arm (fig. 3), and lower the telescoping mid section into the main post. (Fig. 3) You can put the clevis pins back in their holes to retain them from getting lost. Lock the rear casters in place. Unlock the position pins by pulling them out and then twisting them 1/4 turn. Lift the hardtop and pull toward yourself while walking backward until the position pin clicks into place. Then lift up and rest the top on the foam(fig.4). If you're lucky enough to have an awesome Sahara or Rubicon with a painted top, you don't want to store it with the strap still on it. For whatever reason the paint Chrysler uses loves to take on dyes and inks from just about anything in certain conditions. So take it off (the strap) or use some white towels to wedge in between the strap. Reverse these directions to reinstall top.

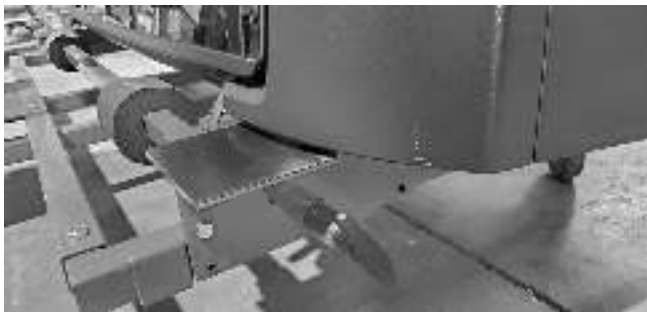


Fig. 1

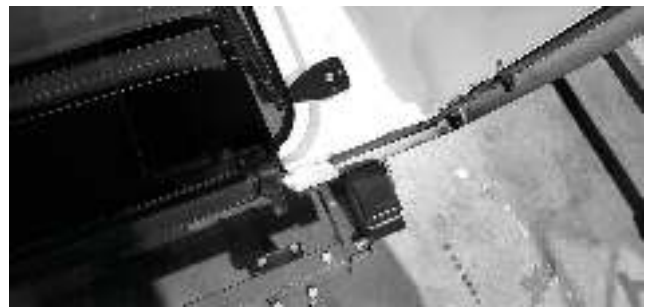


Fig. 2 Pictured while the top is in upright position for reference



Fig. 3



Fig. 4



Fig. 5



LANGE
Originals.

HOIST A CARTTM

GEN. 2

STEP 16

Locate parts: Your doors, Velcro door straps 1" x 24" (HAC-070)

Special Instructions: Roll down your windows before you undo the power harness from the doors. Remove your doors and place the hinge bolts in the slots (Fig. 1) on the Hoist A CartTM. **CAUTION:** Do not put your doors on an empty cart that does not have the top on it, or try to reinstall your top while the doors are on the cart. We've also provided Velcro door straps so the doors aren't flapping around as you move the cart. Loop it through the door handle and then around the strap on the hardtop. Use them as you move the cart or store them like that with the wedged towels for the (hopefully) long summer nap (storage). I always like to get the cart relatively close to where I'm going to store it before I put the doors on it.



Fig. 1



Fig. 2



GEN. 2

Lange Originals Limited Warranty

What the Warranty Covers:

This warranty covers defects from the manufacturing process that would render the product unusable. It also covers items missing from the packaging unless the damage or loss is the result of mishandling by the shipper. This warranty supersedes all other product warranties in the instructions page.

Who is Covered?

This warranty covers the original purchaser of this device with an invoice of purchase or receipt from a valid current dealer.

How Long Does the Coverage Last?

This warranty remains in force for one year, to the original purchaser, from the date of purchase on the invoice or receipt. This warranty applies only to approved dealers of Lange's products.

What We Will do to Correct the Problem:

Lange Originals will repair or replace, at their discretion parts or the whole. Warranty does not cover 3rd party labor, or return shipping.

How do I Get Service?

To obtain warranty repairs, you must obtain authorization from Lange Originals for either a return, or replacement part. If you wish to make other arrangements for repairs/replacement, notify us on our form via our website langeoriginals.com and click on the warranty tab. We will respond in writing on how to proceed. Please do not contact your dealer, contact Lange Originals directly to avoid delays. Please note you will be asked to provide information such as dealer receipt/invoice and sometimes pictures of the item. Return shipping is not covered. We will ship any repaired or replacement items at no cost.

Normal Responsibilities of the Buyer:

Buyer is responsible for the inspection and tightening of bolts, nuts, screws, lag screws, gears, pulleys, casters, u-clamps, hooks and any other parts that require regular attention. Lubricating of some parts is necessary such as the crank type worm gear, on crank type lifting units.

This Warranty Does Not Cover:

1. Any defect caused by abuse, misuse, neglect, carelessness, or accident.
2. Loss of time, loss of use, towing charges, bus fare, car rentals, labor costs of installers, or other incidental damages of property.
3. Damage as a result of not properly following directions, or common safety practices with tools, ladders, and other instruments or tools during installation.
4. Deterioration from wear or exposure.
5. Any defect caused by alteration or modification of the home/garage.
6. Any defect which would not have occurred if instructions in the instruct manual had been followed.
7. Failure of an Chrysler product due to lack of understanding. For example if a buyer does not correctly unfasten electrical cables
8. All disputes concerning this warranty would take place in Utah courts and under Utah law.
9. Shipping damage is covered under our customer satisfaction 30 day return policy, but is not covered after this period of time.
10. Minor cosmetic issues such as paint flaws, mis-shaped foam pieces that do not affect the function of the product as determined by Lange.

Lange Originals LLC reserves the right to change this document at any time and is not limited to the terms and conditions described here. For a comprehensive warranty on your specific part number/product please visit us at www.langeoriginals.com and click on the warranties page.