



GASOLINE & DIESEL ELECTRIC FUEL PUMP

P/N 12-426 HOLLEY 25 GPH PUMP

P/N 12-427 HOLLEY 32 GPH PUMP

P/N 12-428 HOLLEY 34 GPH PUMP

INSTALLATION INSTRUCTIONS – 199R10683

The Holley® Electric Fuel Pump is designed to replace the original equipment fuel pump on carburetor-equipped cars, trucks, and generators. The solid-state design provides greater reliability, longer life, easy installation, freedom from hot weather vapor lock, and faster engine starting in cold weather. When properly installed, your fuel pump will provide a consistent, steady fuel supply to keep your vehicle running smoothly for many years to come even under severe driving conditions.

INCLUDED ITEMS:

- Qty. 1 – Fuel Pump
- Qty. 1 – In-line Fuel Filter
- Qty. 1 – 5/16" Fuel Line Fittings
- Qty. 2 – 1/4" Hex Self-Tap Screws
- Qty. 2 – 1/4" Nuts

OPTIONAL ITEM:

- Qty. 1 – Holley P/N 12-810 Oil Pressure Safety Switch

REQUIRED ITEMS:

- In-line fuel filter (74 micron) must be mounted on the pump's inlet port (included).
- Pump must be properly fused with a 3- to 5-Amp automotive-type fuse.

SUGGESTED TOOLS:

- Electric Drill & 7/32" Bit
- Tube Cutter
- Hose Clamp Pliers
- Locking Pliers
- 7/16" Wrench & Fuel Line Plugs
- Hose Clamps
- Wiring Connectors
- Wire
- 5/16" Flex-Hose

PREPARATION:

CAUTION! An (ABC) fire extinguisher needs to be within reach during installation.

1. Disconnect the vehicle battery, relieve the fuel line pressure, and then disconnect the fuel line.
2. Select the mounting area where the temperature won't exceed 140°F (60°C).
3. Ensure that the fuel pump electrical requirements match those of the vehicle's electrical system.

OPTIONAL:

1. Install an OIL PRESSURE SAFETY SWITCH during the installation of this fuel pump.
2. Connect the Red power lead to the "P" contact. This stops the pump operation if the engine stops and the ignition switch is ON (Figure 1).

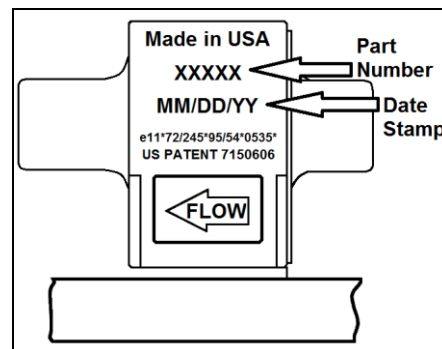
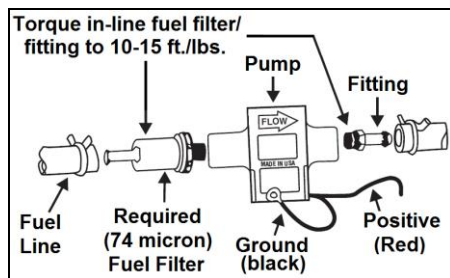
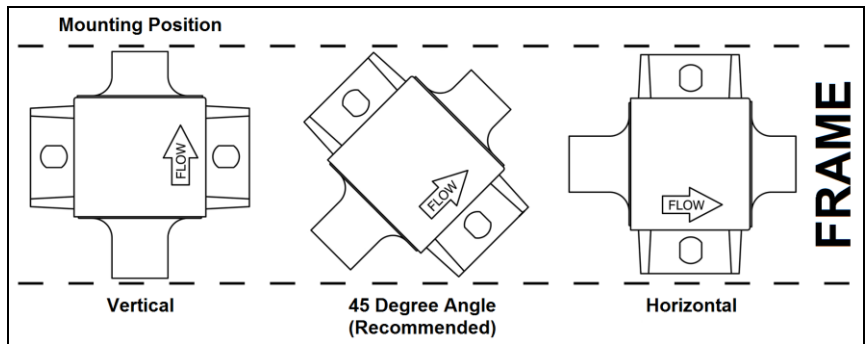
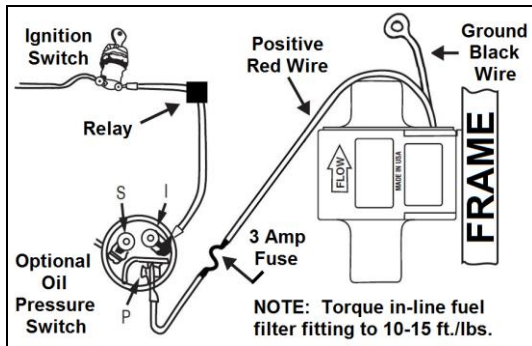
INSTALLATION:

NEGATIVE GROUND SYSTEM ONLY:

1. Select a mounting location:
 - A clean section of the frame away from an area susceptible to road hazard damage or exhaust systems.
 - Must be within 12 vertical inches from the fuel tank (bottom).
2. Position the pump in an upward direction at 45° away from the tank. Mark and drill (2) 7/32" holes into the frame aligned to the mounting bracket (Figure 2).
3. Place the pump over the holes and start the first 1/4" self-tap screw into the frame. Start the second screw capturing the black (negative) lead into the other hole. Tighten both screws.

NOTE: Some installations may require fastening the bracket to threaded studs with 1/4" nuts.

4. Install the fuel filter (74 micron) on the inlet.
5. Torque the filter and fitting to 10-15 ft./lbs.
6. Reconnect the fuel line and clean up any spilled fuel.
7. Connect the RED (positive) power lead to the OPTIONAL OIL PRESSURE SAFETY SWITCH or TO A RELAY CONTROLLED BY IGNITION. If this pressure switch is not available, connect to the ignition switch voltage supply terminal.
8. Reconnect the battery terminals.
9. Turn ignition switch to ON, and start engine. Confirm the pump is operating by hearing a vibrating sound from it. Ensure there are no leaks in the fuel system.



Holley® Technical Support
1-270-781-9741 or 1-866-464-6553
www.holley.com