



# Installation Instructions Passenger Side Under Seat Lock Box


## Vehicle Application:

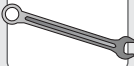





•Jeep Wrangler  
2007 – 2010  
Part Number: 42642

•Jeep Wrangler Unlimited  
2007 – Current  
Part Number: 42642

See Addendum for 2011 - Current Wrangler Unlimited

[www.Bestop.com](http://www.Bestop.com) - We're here to help! Visit our web site and click on "Ask a Question". Click here for more [Jeep® Accessories by Bestop](#).

INSTALLATION TIME	SKILL LEVEL
 <b>15 min</b>	<b>1</b> <b>2</b> <b>3</b> <b>4</b> <b>1 - Easy</b>

TOOLS			
 Wrench 18mm	 Pliers	 Flat-Head Screwdriver	 Torx Wrench T-30
 Phillips Screwdriver	 Safety Glasses		



## Installation Tips

Before you begin installing this assembly, read all instructions thoroughly.

This Lock Box is designed to be used on the model vehicles described above. Use of this Lock Box in any other vehicles or failure to install this Lock Box properly may result in an improperly mounted seat and could result in unexpected movement of the seat and loss of control of the vehicle, thereby placing the occupants of the vehicle and others in a potentially dangerous situation.



## CAUTION

Force fitting Lock Box may compromise seat operation and safety. To reduce risk of injury or property damage: inspect under seat area, use plug relocation kit in 2011 – Current 4 Door applications and do not install in any vehicle where, after relocating, plug Lock Box contacts plug, kinks wiring harness or restricts seat operation. Follow installation and plug relocation instructions carefully.



## CAUTION

Safety glasses should be worn at all times while installing this product.



## WARNING

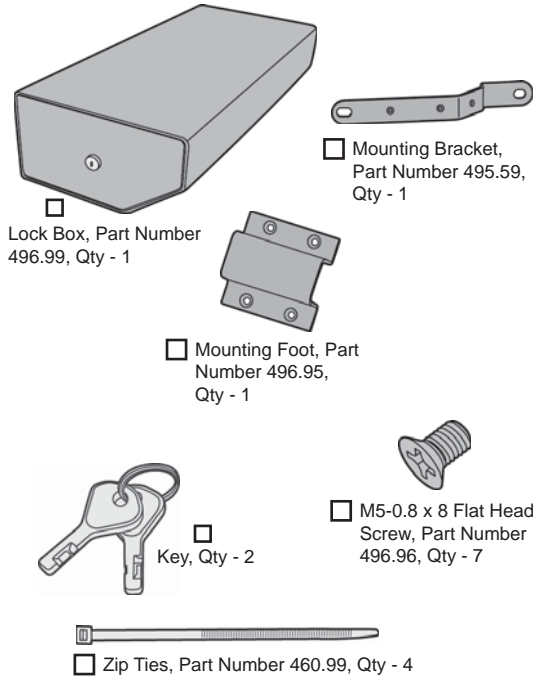
Ensure this Lock Box is securely shut and locked before operating the vehicle. Failure to do so could result in the drawer opening creating a potentially hazardous driving situation.

## WEAR SEAT BELTS AT ALL TIMES

Read and follow, precisely, all installation instructions provided when installing product. Failure to do so may result in a poor fit and could place occupants of the vehicle in a potentially dangerous situation.

# Under Seat Lock Box Installation Instructions

## Parts List



**NOTICE:** Jeep® under seat space on the JK series varies depending on OEM body style and interior option package. Rather than compromise the utility of Bestop® Under Seat Lock Box (P/N 42642), 2011-current applications are currently limited to four door models. On 2011-current Wrangler Unlimiteds it is necessary to relocate the under seat wiring plug using the kit supplied and installed per instructions below.

## Installation Addendum for 2011- Current Jeep® Wrangler Unlimited Remove Harness Mounting Plate and Secure Harness to Seat Base.

Due to the 2011-Current Jeep JK Wrangler, Wrangler Unlimited seat construction the 4264201, Under Seat Locking Storage Box will not fit the 2011-Current JK Wrangler, (2 Door).

The 42642-01 will fit 2011-Current Jeep JK Wrangler Unlimited. However, an additional step of installation is required.

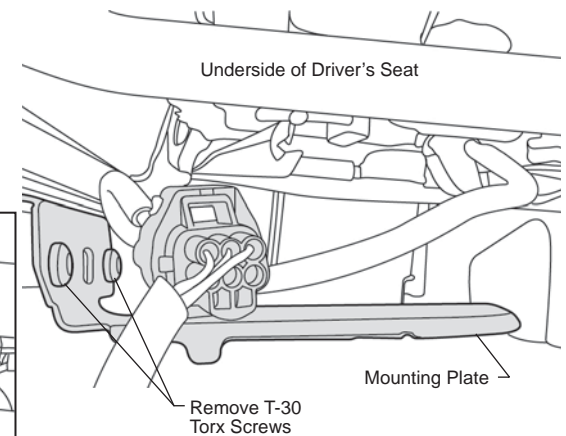
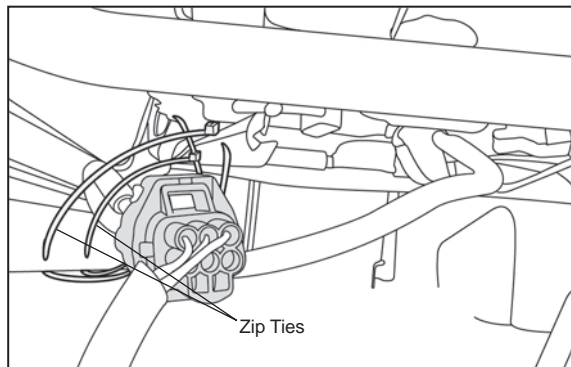
The OEM electrical plug mount that is attached to the seat bracket needs to be removed using a T-30 Torx bit.

Remove the two screws from the bracket.

Remove the electrical plug from bracket by squeezing the two plastic tabs under the bracket with a pair of pliers. These tabs will not be utilized again to secure electrical plug.

Zip tie the electrical plug utilizing the holes that the T-30 Torx screws were removed from. This will allow the electrical plug to be mounted under the seat bracket allowing the space to mount the Under Seat Locking Storage Box. **Make sure the lock Box will slide into position before tightening the Zip Ties.**

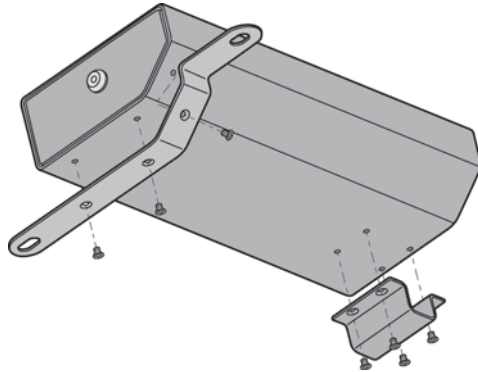
**Make sure the seat will slide from front to back without snagging any of the other wires and/or plugs on the Lock Box. Use the additional Zip Ties to secure any wires and/or plugs out of the way.**



## Under Seat Lock Box Installation Instructions

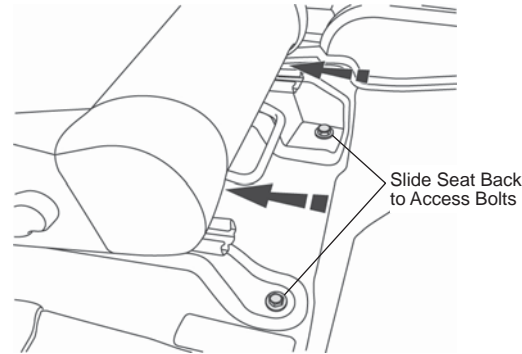
### 1 Install Mounting Bracket and Mounting Foot

Attach the Mounting Bracket and the Mounting Foot to the Lock Box with the M5-0.8 x 8 Flat Head Screws.



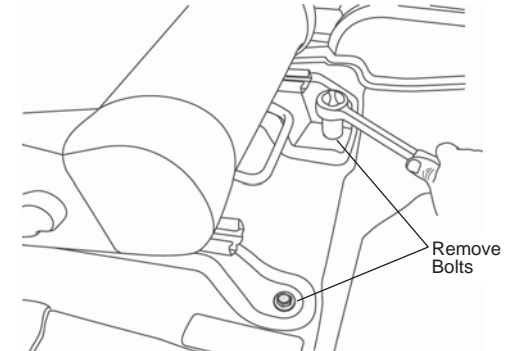
### 2 Slide Driver's Seat Back

Slide the driver's side seat back to access the front seat bracket bolts.



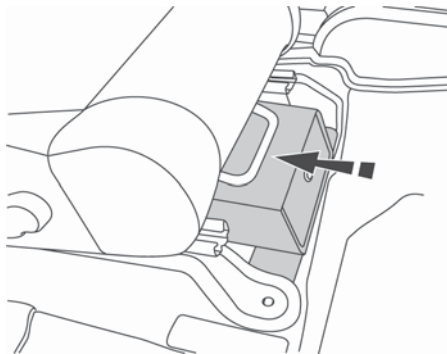
### 3 Remove Driver's Seat Bracket Bolts

Use an 18mm wrench to remove the front seat mounting bolts. Set them aside to be reinstalled.



### 4 Slide Lock Box Under Seat

Slide the Lock Box under the passenger side seat with the outboard tab under the seat bracket and the inboard tab on top. Align the mounting holes with the holes in the seat bracket.



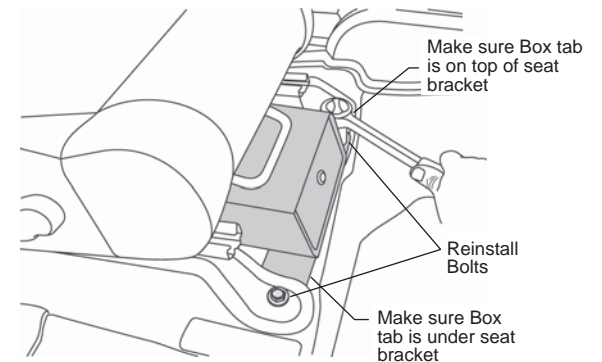
### 5 Reinstall Seat Bracket Bolts

Reinstall the bolts removed in Step 3 to secure the Lock Box to the seat mounting brackets.

Start the bolt nearest the door and tighten 1-2 turns.

Push the Lock Box gently toward the other bolt. Install the bolt and tighten it 1-2 turns.

Once both bolts are started, alternate side to side tightening the bolts until they are both secure.



## **Under Seat Lock Box Installation Instructions**

---

### **LIMITED WARRANTY**

We warrant our product to be free from defects in material and workmanship, for the terms specified below, provided there has been normal use and proper maintenance. This warranty applies to the original purchaser only. All remedies under this warranty are limited to the repair or replacement of any item or items found by Bestop to be defective within the time period specified. If you have a warranty claim, first you must call Bestop at the Toll Free number listed below. You must retain proof of purchase and submit a copy with any items returned for warranty work. Upon completion of warranty work, if any, we will return the repaired or replaced item or items to you freight prepaid. Damage to our products caused by accidents, fire, vandalism, negligence, misinstallation, misuse, Acts of God, or by defective parts not manufactured by us, is not covered under this warranty.

THE WARRANTY TIME PERIOD IS AS FOLLOWS FOR REPLACE-A-TOP™, SAILCLOTH REPLACE-A-TOP™, SUPERTOP®, SUPERTOP® REPLACEMENT SKINS, SUNRIDER®, AND TIGERTOP®: TWO YEARS FROM DATE OF PURCHASE.

THE WARRANTY TIME PERIOD IS AS FOLLOWS FOR ALL OTHER “SOFT GOODS” MANUFACTURED BY OUR COMPANY (USING PRIMARILY VINYL, PLASTICS, AND/OR FOAM): ONE YEAR FROM DATE OF PURCHASE.

THE WARRANTY TIME PERIOD IS AS FOLLOWS FOR ALL OTHER “HARD GOODS” MANUFACTURED BY OUR COMPANY (USING PRIMARILY METALS, PLASTICS, AND/OR FIBERGLASS): ONE YEAR FROM DATE OF PURCHASE.

ANY IMPLIED WARRANTIES OF MERCHANTABILITY AND/OR FITNESS FOR A PARTICULAR PURPOSE CREATED HEREBY ARE LIMITED IN DURATION TO THE SAME DURATION AND SCOPE AS THE EXPRESS WRITTEN WARRANTY. OUR COMPANY SHALL NOT BE LIABLE FOR ANY INCIDENTAL OR CONSEQUENTIAL DAMAGE.

Some states do not allow limitations on how long an implied warranty lasts, or the exclusion or limitation of incidental or consequential damages, so the above limitations or exclusions may not apply to you. This warranty gives you specific legal rights, and you may also have other rights which vary from state to state.



For further information or request for warranty work, please contact:  
Bestop Inc. Customer Service  
Toll-Free: (800)845-3567  
Main: (303)465-1755  
E-mail: [csbestop@Bestop.com](mailto:csbestop@Bestop.com)  
Website: [www.Bestop.com](http://www.Bestop.com)

Made in China