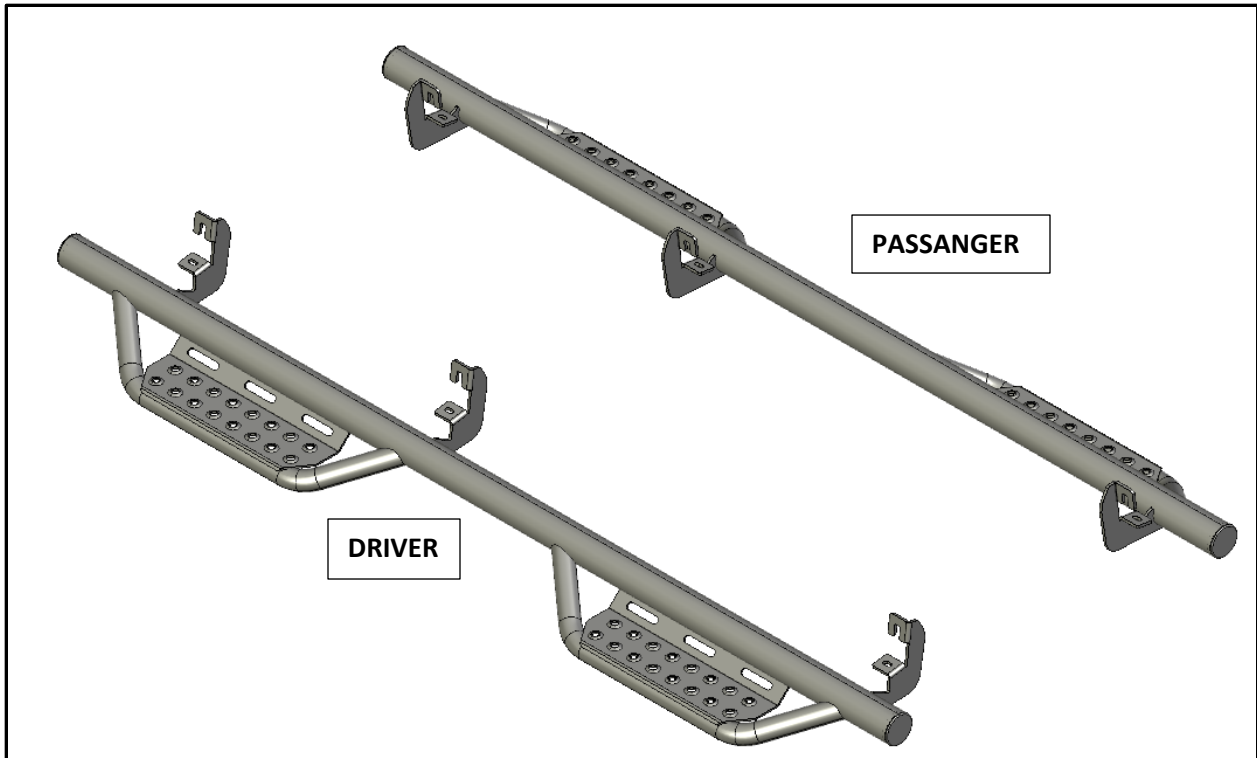


HARDWARE DESCRIPTION		QTY.
<b>HWKT-00008X</b>		
FLBW-00894X	M8-1.25 X 30MM CLASS 8.8 FLANGED CAP SCREW W/WASHER ZINKLAD 1000B	12
CLIP – 00643X	M8-1.25 X 20MM-BARREL CLIP ZINKLAD1000B	12

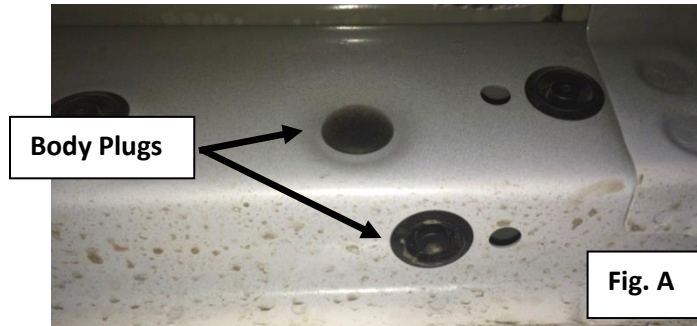


PARTS INCLUDED		QTY
DRIVER SIDE		1
PASSENGER SIDE		1

**Step 1:** Locate the driver side step rail.

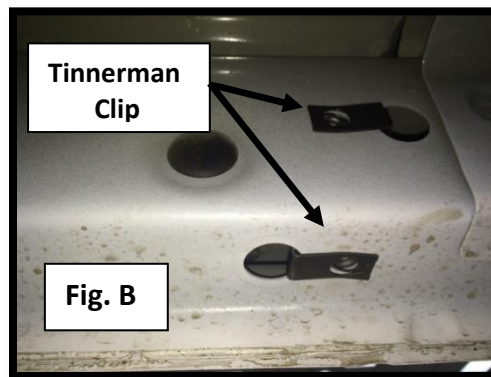


**Step 2:** Locate the rubber body plugs on the underside of the body. There will be 3 sections of 2 plugs each. One near the top of the body and one near the bottom. **Fig. A**



**Step 3:** Using the measurement from the brackets, only remove the rubber plugs from the sections you will need to mount the step. (**NOTE:** Start with the first section nearest to the front of the vehicle.)

**Step 4:** Insert one 8mm x 1 ¼' Tinnerman clip into each mounting hole by sliding the clip through the large hole and lining up the threaded part with the smaller hole. Make sure the flat side of the clip faces toward the outside of the body. **Fig. B**



**Step 5:** Carefully raise the nerf-step into position aligning all brackets with the three mounting holes. Insert all six M8 X 30mm HC bolts and hand tighten only.

**Step 6:** Starting with the rear bracket, adjust step as close to the body as possible without making contact and torque both bolts tight. Then repeat same step with the front bracket and the center bracket.

**Step 7:** Repeat steps 2-7 with passenger side. Your install is now complete.